

REAR SEAT AREA

Rear Seat Area

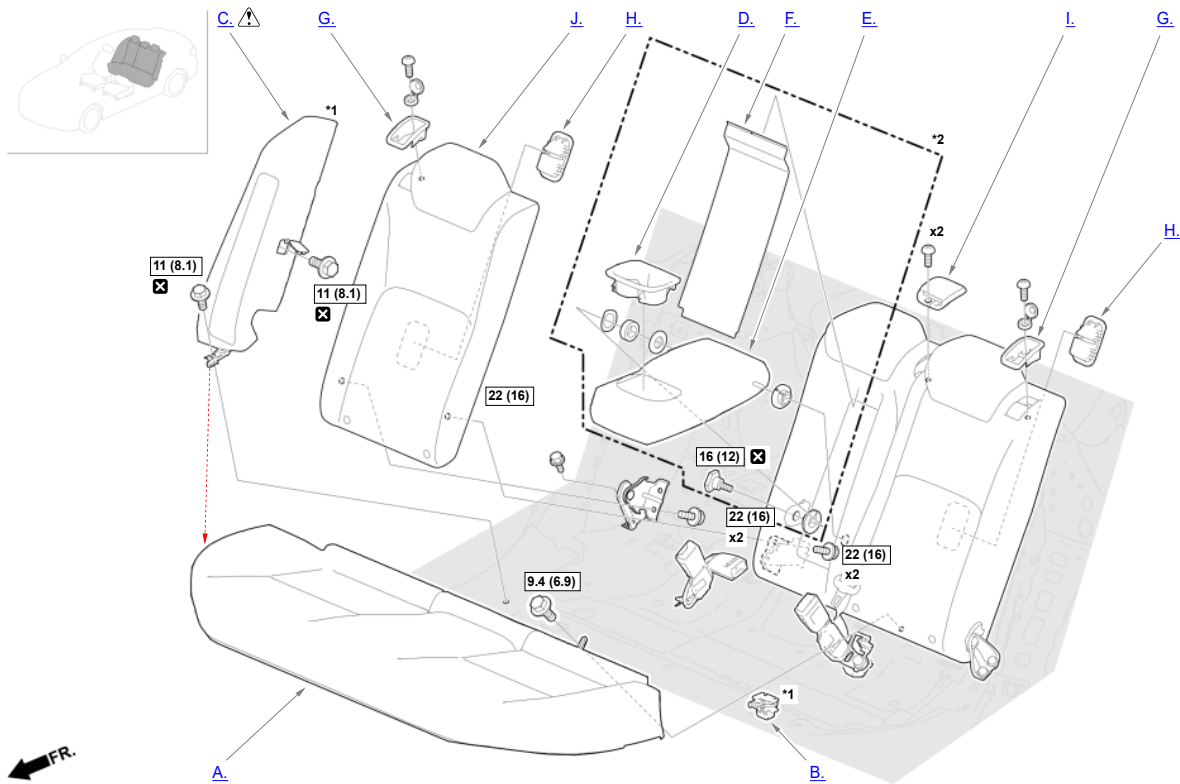
**CAUTION**

- SRS components are located in this area. Before doing repairs or service:
  - Review the SRS component locations.
  - Review the precautions and procedures.

How to use this manual.

1

Except Type-S

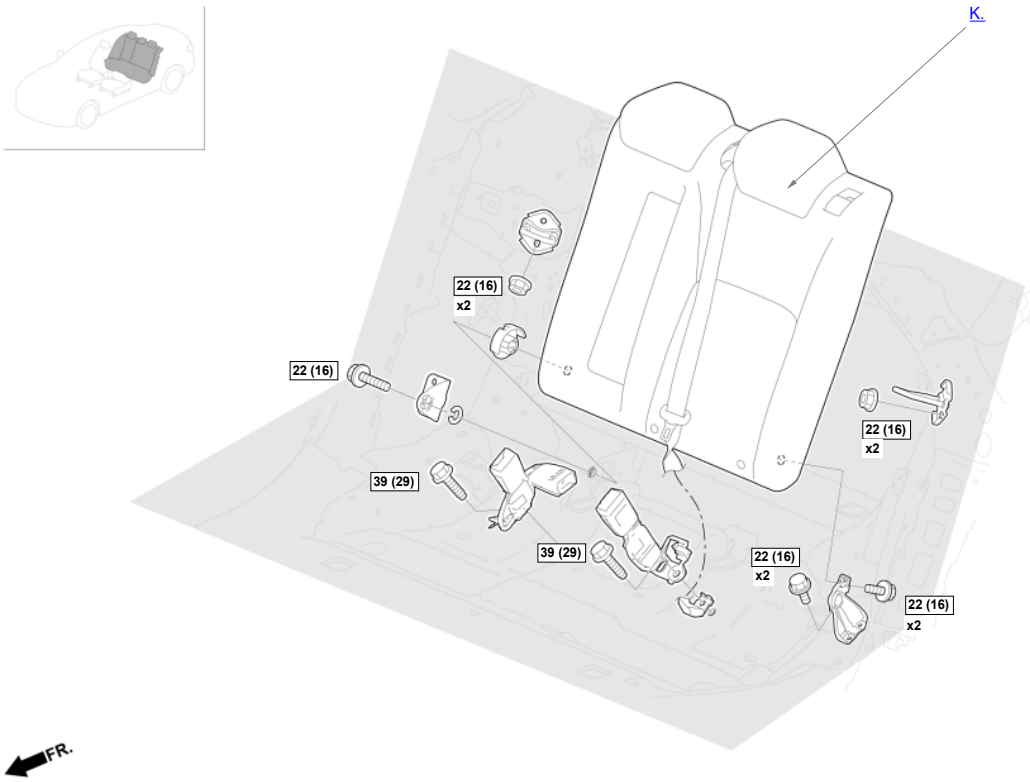


: Torque, N·m (lbf·ft)	: Replace	: Warning/Caution	: Inspection/Adjustment	: Learning	: SPL Tool	: Required Removal
------------------------	-----------	-------------------	-------------------------	------------	------------	--------------------

\*1: Part(s) are shown for one side only as the procedure is the same for both sides.  
 \*2: With rear seat armrest.

2

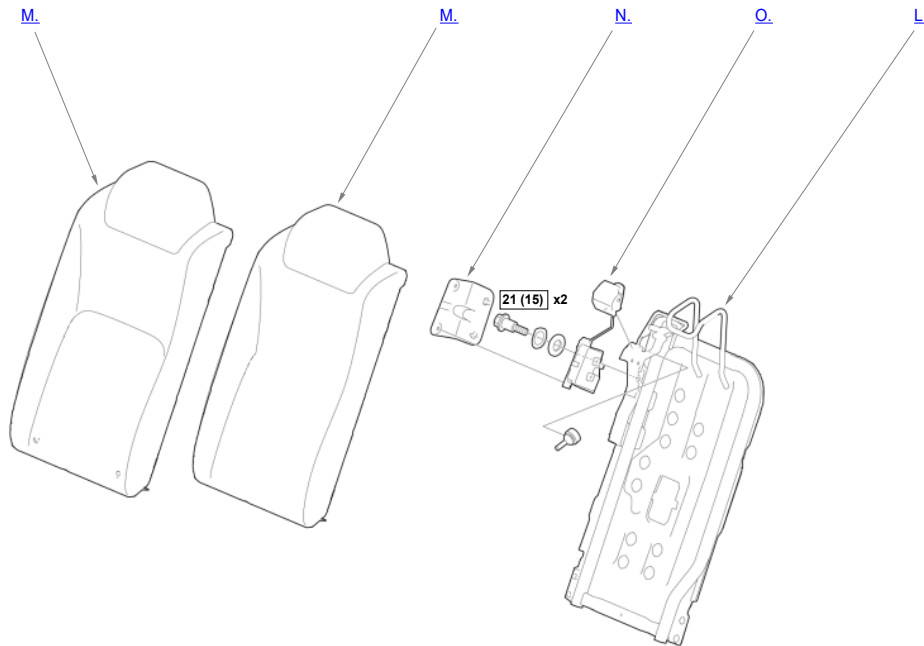
Except Type-S

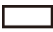








: Torque, N·m (lb·ft)	: Replace	: Warning/Caution	: Inspection/Adjustment	: Learning	: SPL Tool	: Required Removal
-----------------------	-----------	-------------------	-------------------------	------------	------------	--------------------

### 3

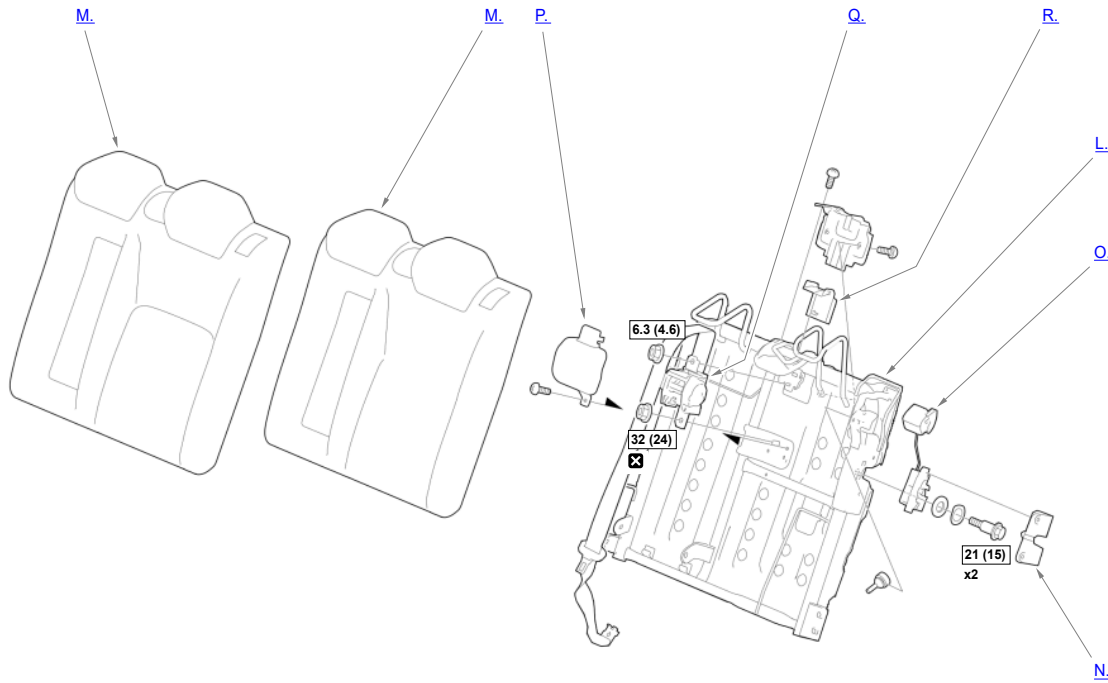
Except Type-S










 : Torque, N-m (lbf-ft)	 : Replace	 : Warning/Caution	 : Inspection/Adjustment	 : Learning	 : SPL Tool	 : Required Removal
--	---	---	--	---	--	--

#### 4

Except Type-S

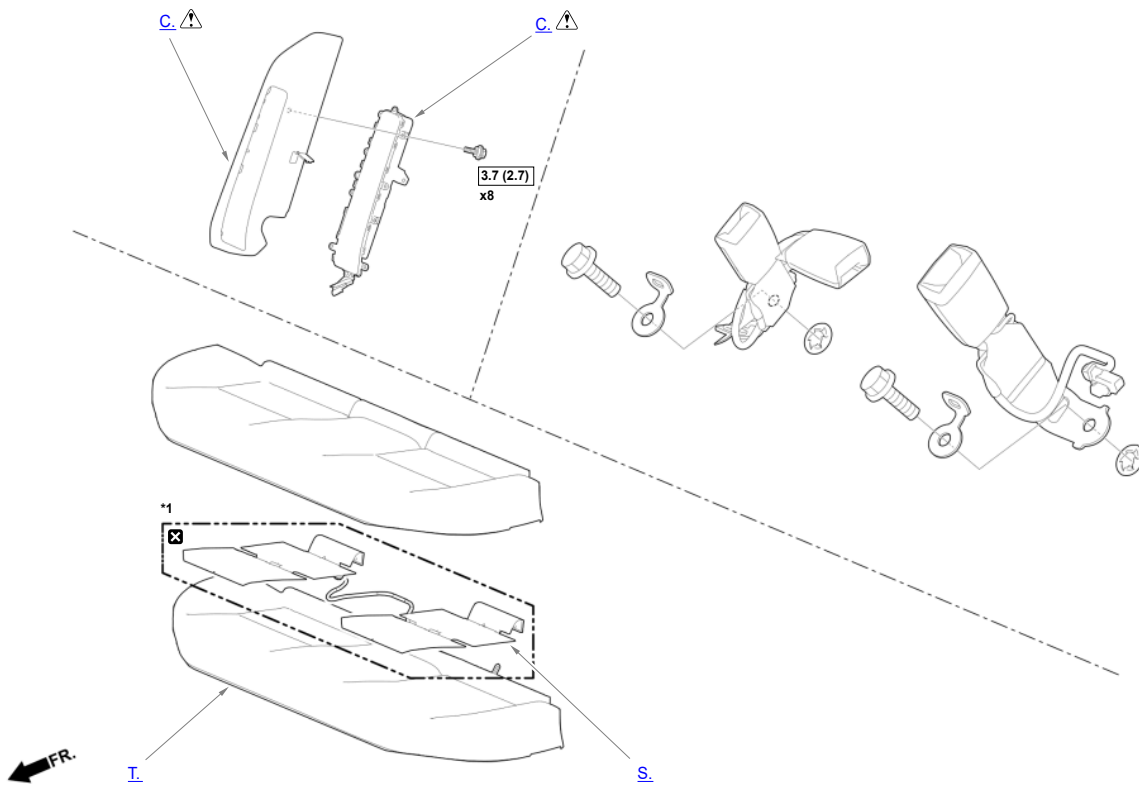


←FR.

 : Torque, N-m (lbf-ft)	 : Replace	 : Warning/Caution	 : Inspection/Adjustment	 : Learning	 : SPL Tool	 : Required Removal
--	---	---	--	---	--	--

#### 5

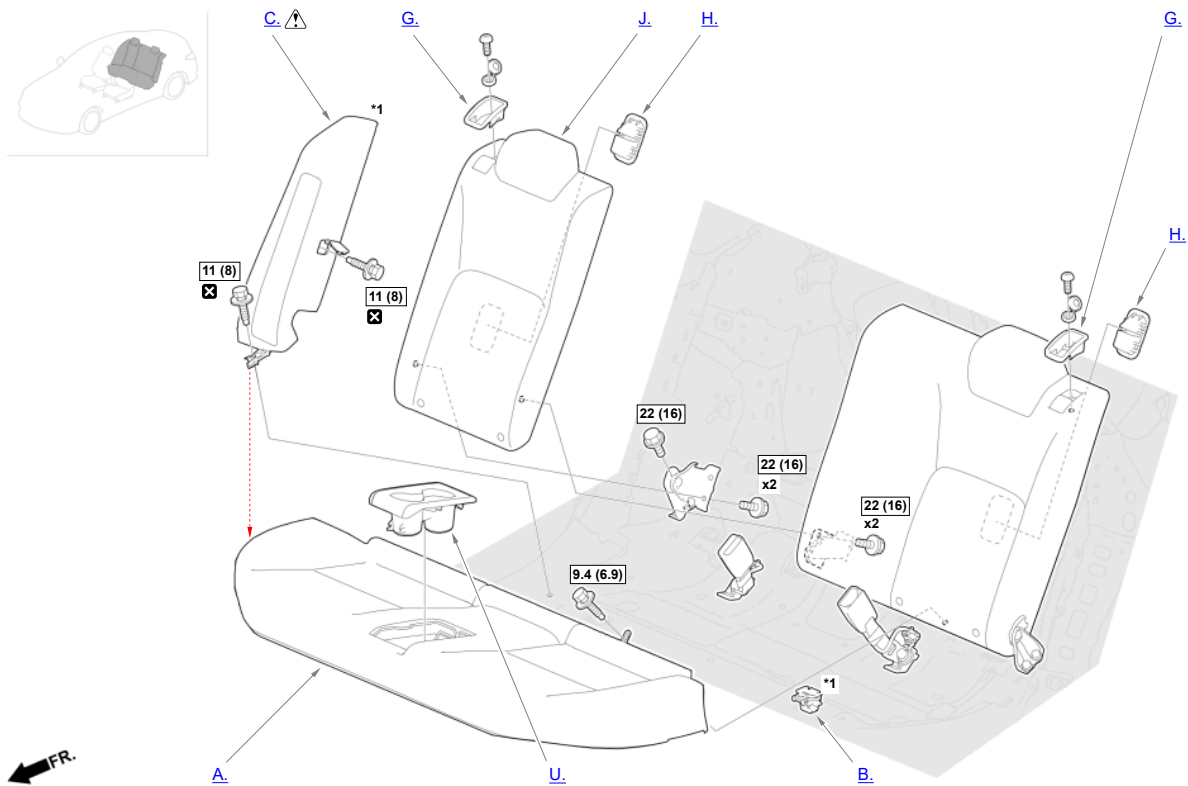
Except Type-S










\*1: With seat heater.

## 6

Type-S

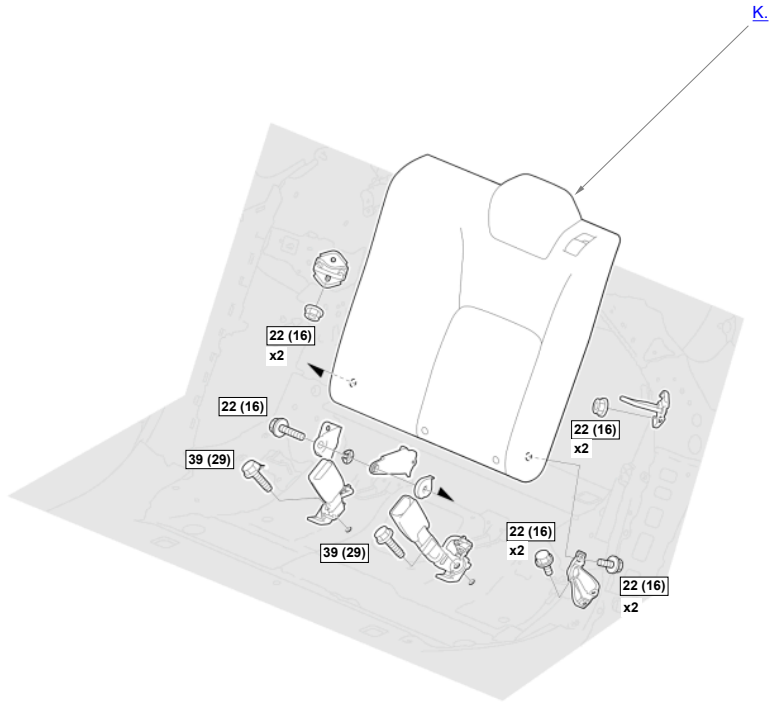









 : Torque, N·m (lbf·ft)	 : Replace	 : Warning/Caution	 : Inspection/Adjustment	 : Learning	 : SPL Tool	 : Required Removal
--	---	---	---	---	--	--

\*1: Part(s) are shown for one side only as the procedure is the same for both sides.

## 7

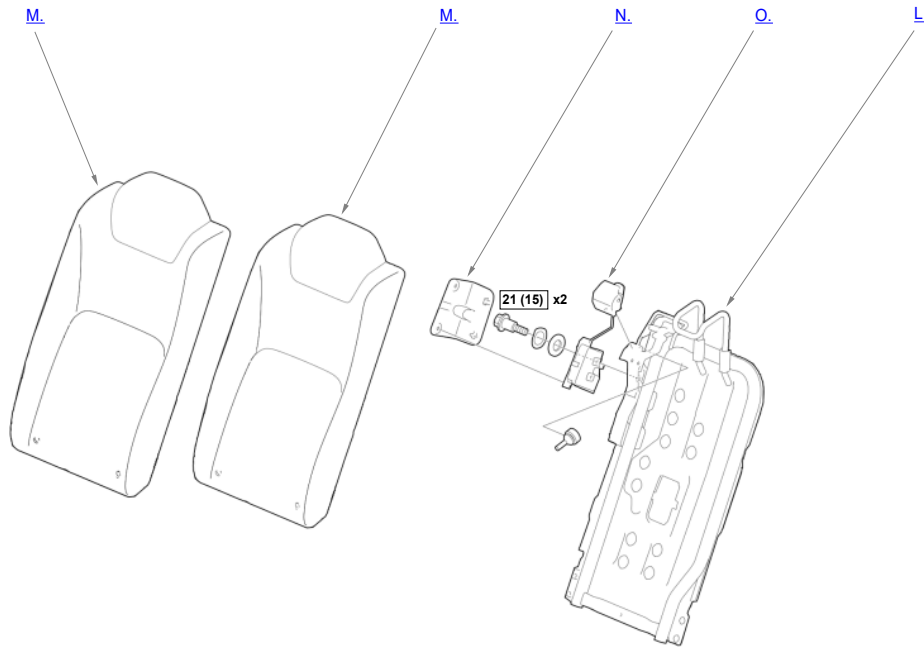
Type-S



 : Torque, N·m (lbf·ft)	 : Replace	 : Warning/Caution	 : Inspection/Adjustment	 : Learning	 : SPL Tool	 : Required Removal
--	---	---	--	---	--	--

## 8

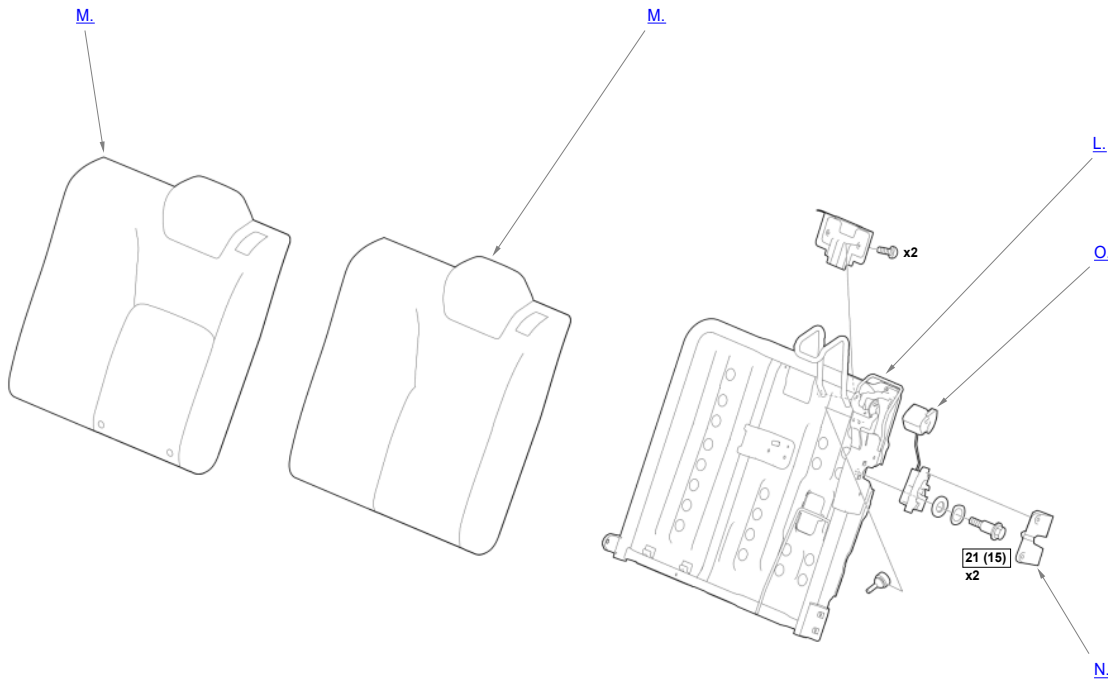
Type-S

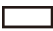








: Torque, N·m (lbf·ft)	: Replace	: Warning/Caution	: Inspection/Adjustment	: Learning	: SPL Tool	: Required Removal
------------------------	-----------	-------------------	-------------------------	------------	------------	--------------------

9

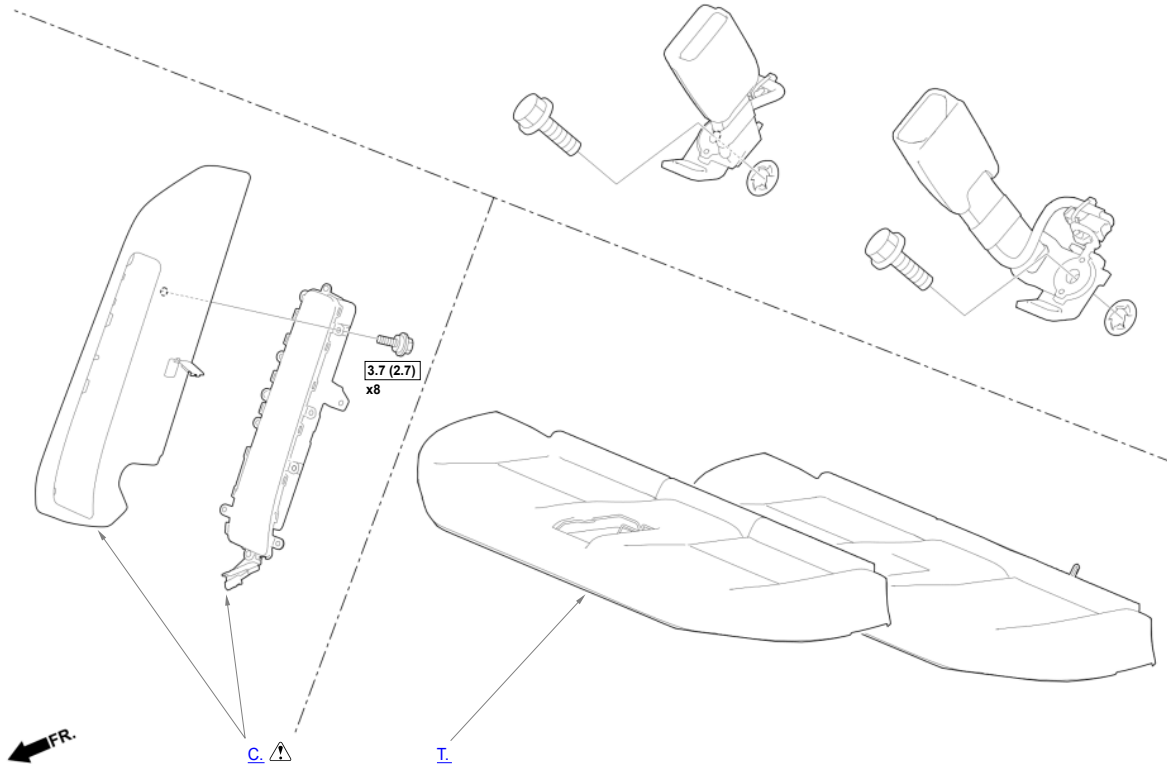
Type-S



 : Torque, N·m (lbf·ft)	 : Replace	 : Warning/Caution	 : Inspection/Adjustment	 : Learning	 : SPL Tool	 : Required Removal
--	---	---	---	--	--	--

# 10

Type-S

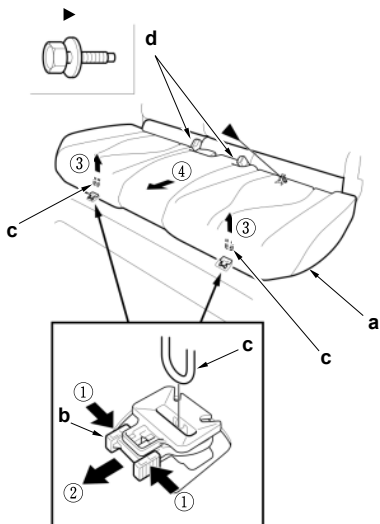


A. -

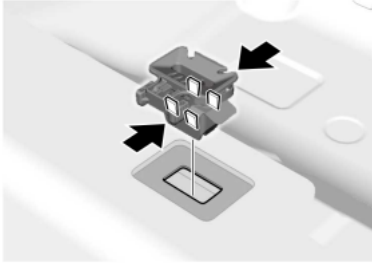
## ■ Sub-Procedure

### ● Removal

1. While pushing down on the rear seat cushion (a), pull the seat hook handles (b) to release the hooks (c).
2. Pull back the rear seat cushion to pull off the seat belt buckles (d) from the slits in the rear seat cushion, and remove it.



B. -



## ■ Sub-Procedure

### ● Removal

- Refer to the figure.

C. -

## ⚠ CAUTION

- Review the precautions and procedures before doing repairs or service.
- Wait at least 3 minutes, after disconnecting the 12 volt battery terminal.

## NOTICE

If you are replacing the rear side airbag after a deployment, refer to Component Replacement/Inspection After Deployment for confirming a complete list of other parts that must also be replaced.

NOTE: When troubleshooting, do not remove the rear seat side bolster. Disconnect only the rear side airbag inflator connector from under the rear seat cushion.

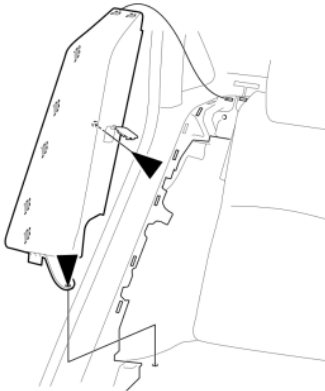
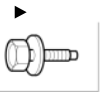
## ■ Preconditions

- 12 Volt Battery Negative Terminal Disconnected

## ■ Sub-Procedure

### ● Removal

- Refer to the figure.



## ● Installation

### NOTICE

- Make sure that the rear seat side bolster is installed properly. Improper installation may prevent proper deployment.
- Be sure to install the harness so that they are not pinched or interfering with other parts.
- Do not install the side airbag while it is in a plastic bag.

## ■ After Installation

### 1. 12 Volt Battery Negative Terminal Reconnect

### 2. SRS Operation Confirm

- Turn the vehicle to the ON mode, and check that the SRS indicator comes on for about 6 seconds and then goes off.

D. -

## ■ Sub-Procedure

## ● Removal

- Refer to figure 1 and 2.

Figure 1

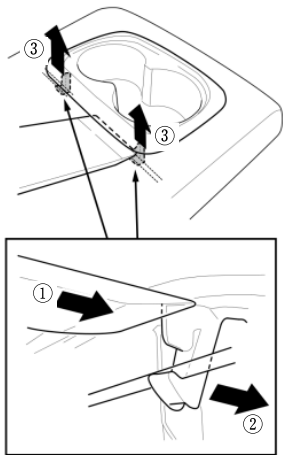
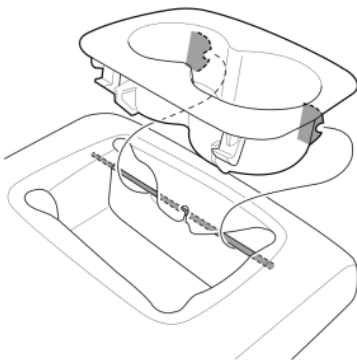


Figure 2

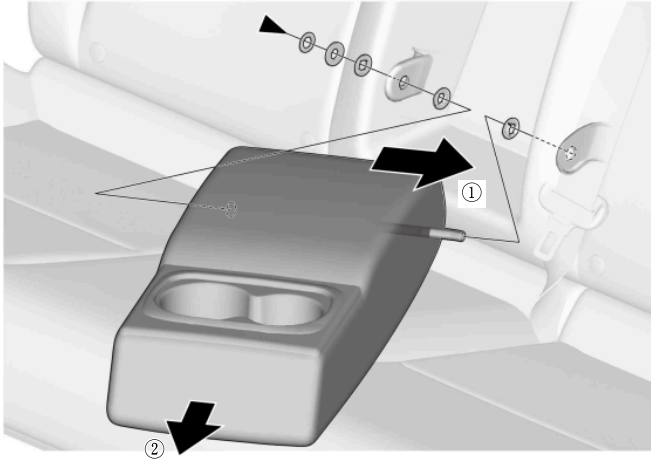


E. -

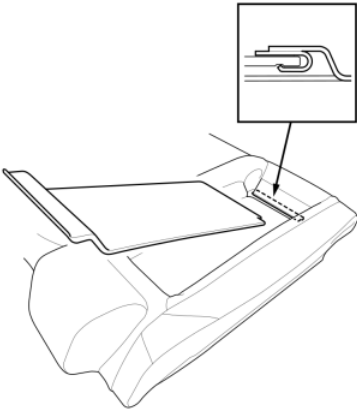
## ■ Sub-Procedure

## ● Removal

- Refer to the figure.



F. -



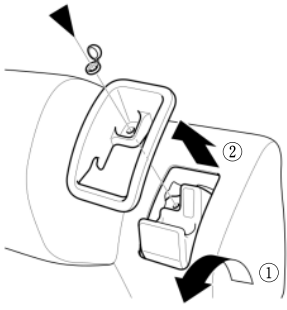
G. -

## ■ Sub-Procedure

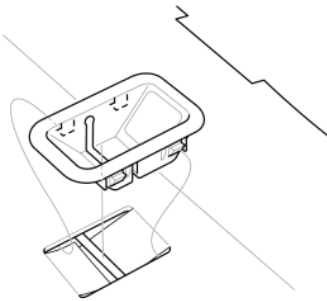


## ● Removal

- Refer to the figure.



H. -

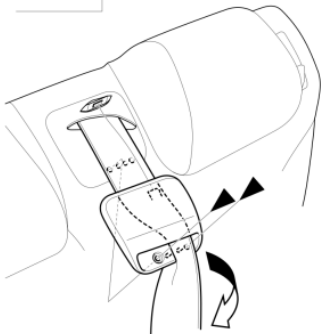


I. -

## ■ Sub-Procedure

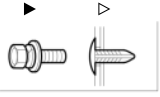
### ● Removal

- Refer to the figure.



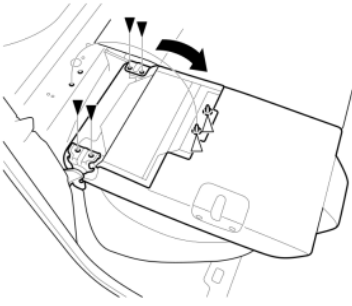
J. -

## ■ Sub-Procedure



## ● Removal

- Refer to the figure.

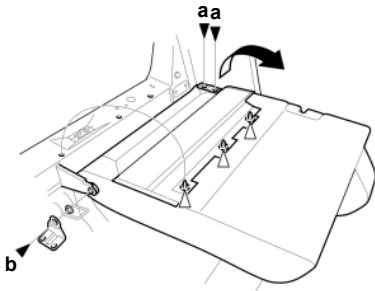
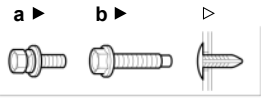


K. -

## ■ Sub-Procedure

## ● Removal

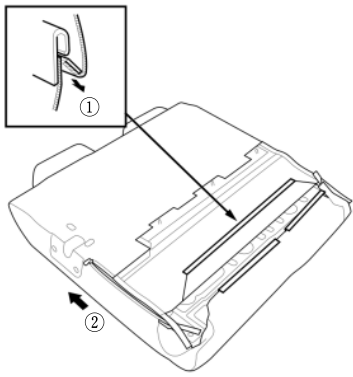
- Refer to the figure.



L. -

## ■ Sub-Procedure

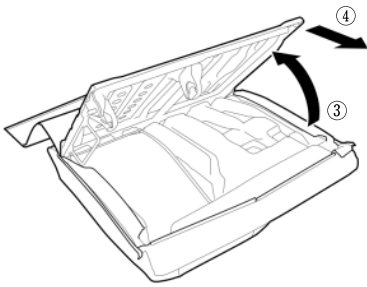
Figure 1



● Removal

- Refer to figure 1 and 2.

Figure 2



M.-

■ Sub-Procedure

● Removal

- Pull back the edge of the rear seat-back cover (a) all the way around, and release the upholstery rings (b), then remove the rear seat-back cover. (Figure 1, 2, and 3)

Figure 1

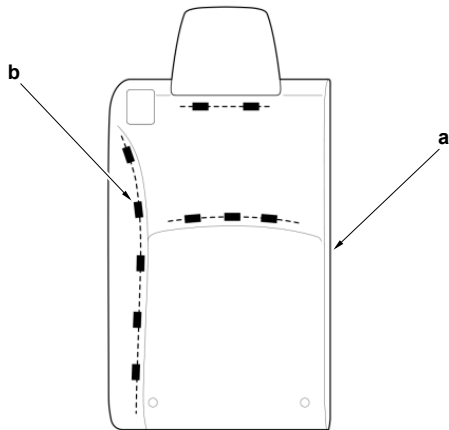


Figure 2 (Except Type-S)

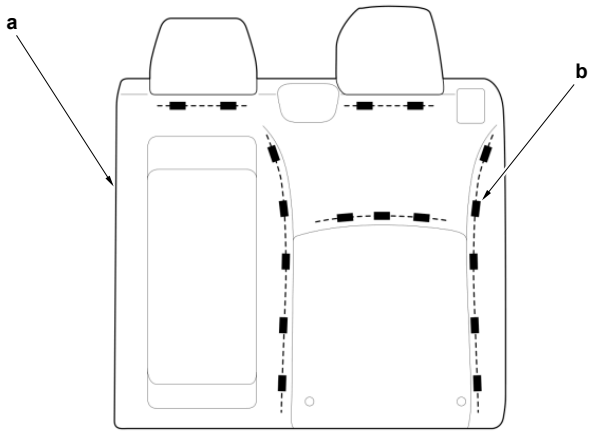
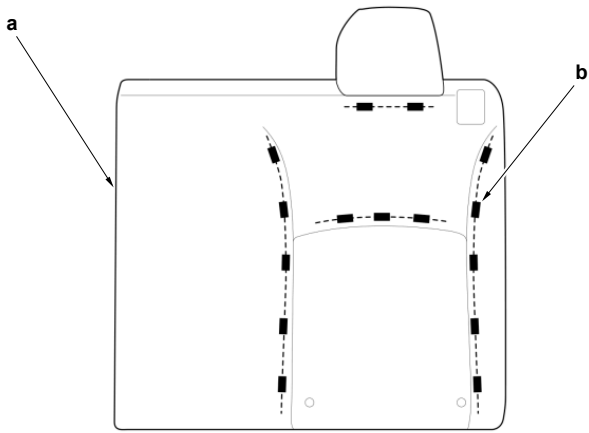


Figure 3 (Type-S)



## ● Installation

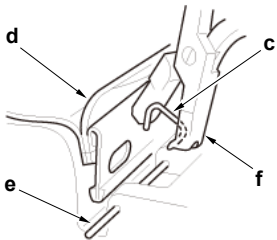
- Refer to figure 4.

NOTE: Replace all of the upholstery rings (c) with new ones, and fasten the rear seat-back cover (d) to the wires (e) using pliers (f). (Figure 4)

### Tool Details (Figure 4)

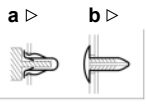
Name	
f	Pliers (Commercially Available)

Figure 3



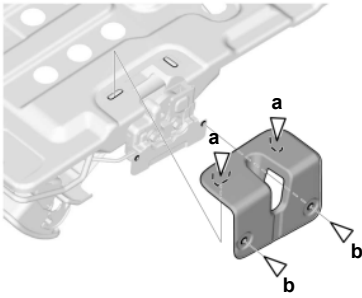
N. -

## ■ Sub-Procedure

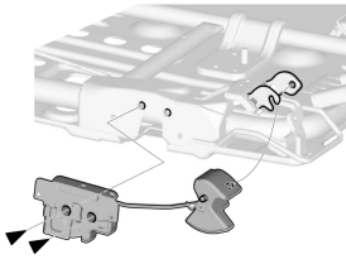


## ● Removal

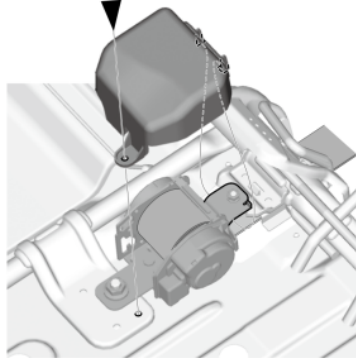
- Refer to the figure.



O. -

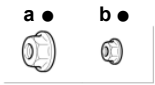


P. -



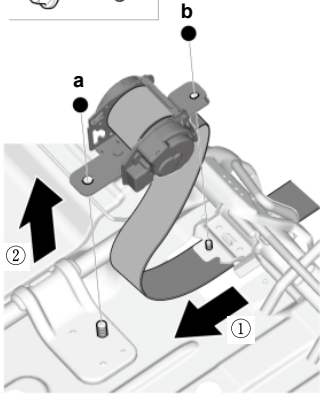
Q. -

## ■ Sub-Procedure

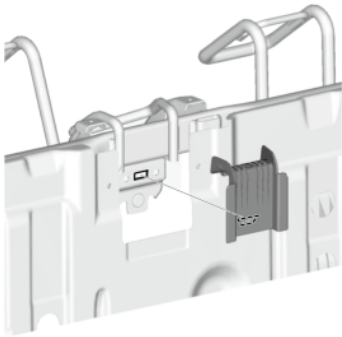


## ● Removal

- Refer to the figure.



R. -

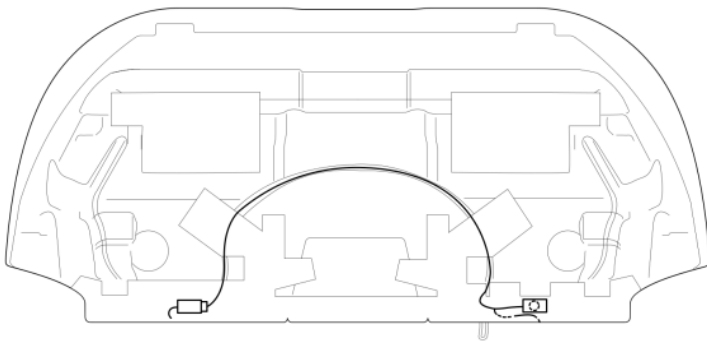


S. -

## ■ Sub-Procedure

### ● Removal

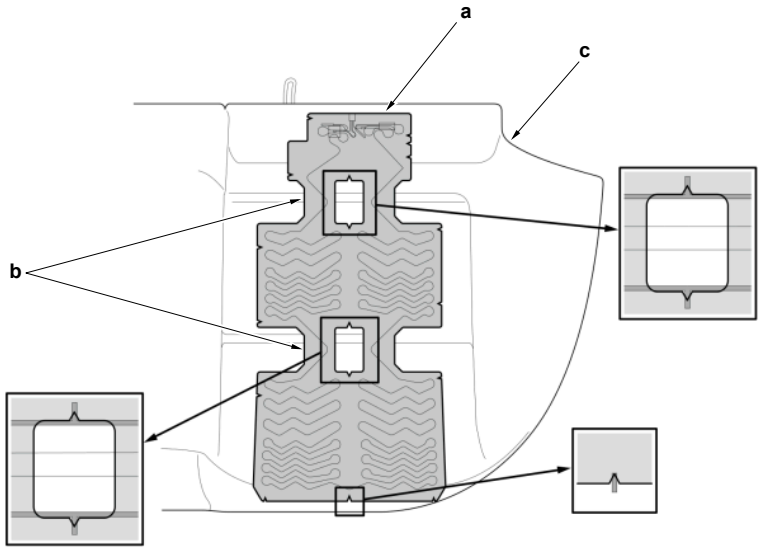
- NOTE: The rear seat cushion heater is glued to the rear seat cushion pad. When removing it, take care not to damage the rear seat cushion pad.



### ● Installation

- Attach the rear seat cushion heater (a) to the reference position.

NOTE: Once the rear seat cushion heater is in place on the rear seat cushion, tuck the bridge folds (b) of the rear seat cushion heater evenly into the grooves of the rear seat cushion pad (c).



NOTE: This illustration shows left side. Right side is identical.

T. -

■ Sub-Procedure

● Removal

1. Remove the upholstery rings (a), and then remove the rear seat cushion cover (b). (Figure 1, 2 and 3)

NOTE: The positions and number of the upholstery rings vary depending on models. Note the position of the upholstery rings, and install it to the same position when reinstalling.

Figure 1 (With Seat Heater)

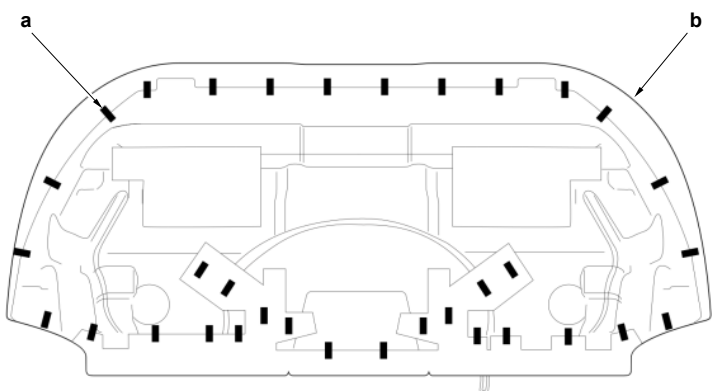


Figure 2 (Without Seat Heater)

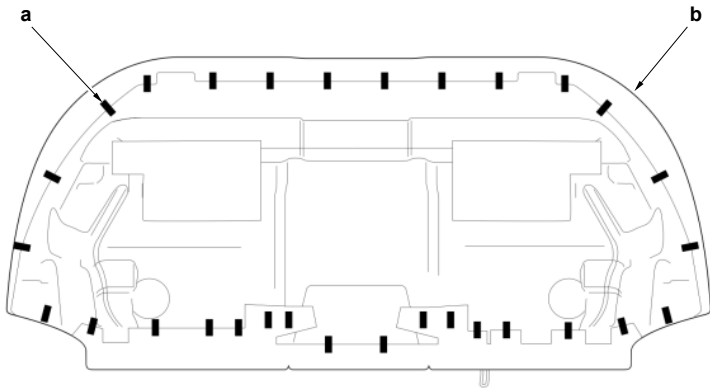
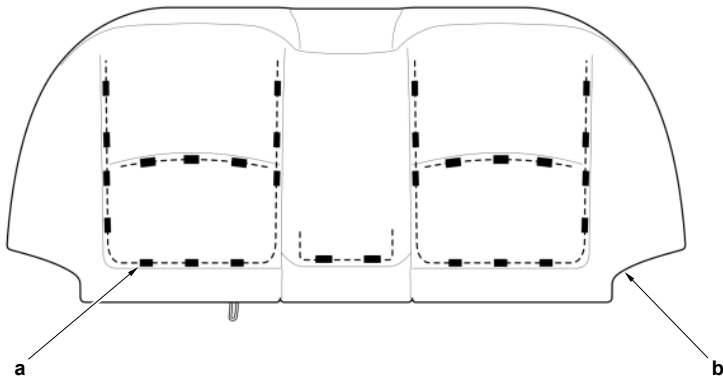


Figure 3



## ● Installation

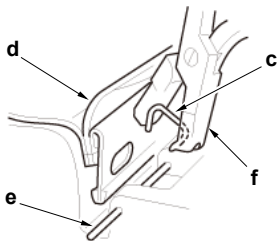
- Refer to figure 4.

NOTE: Replace all of the upholstery rings (c) with new ones, and fasten the rear seat cushion cover (d) to the wires (e) using pliers (f). (Figure 4)

### Tool Details (Figure 4)

Name	
f	Pliers (Commercially Available)

Figure 4

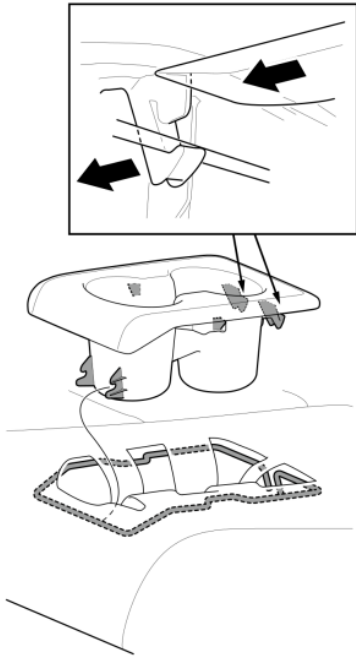


U. -

■ Sub-Procedure

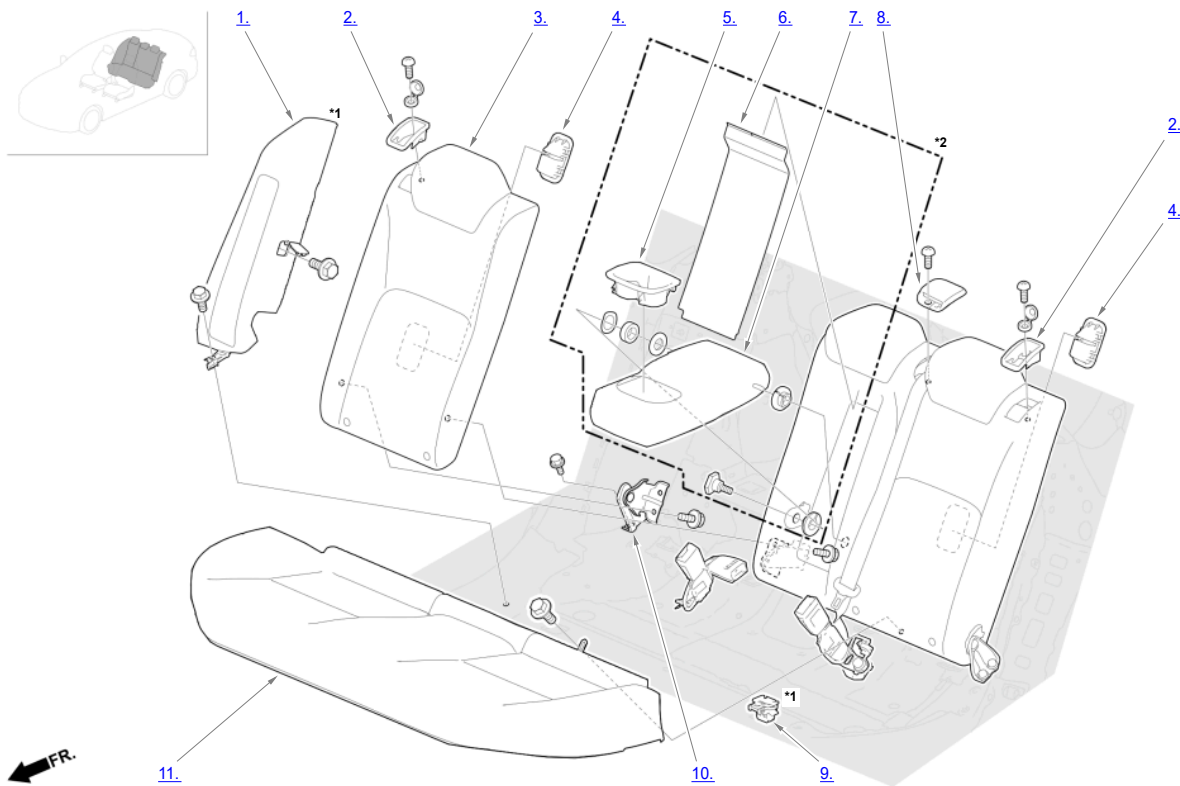
## ● Removal

- Refer to the figure.



1

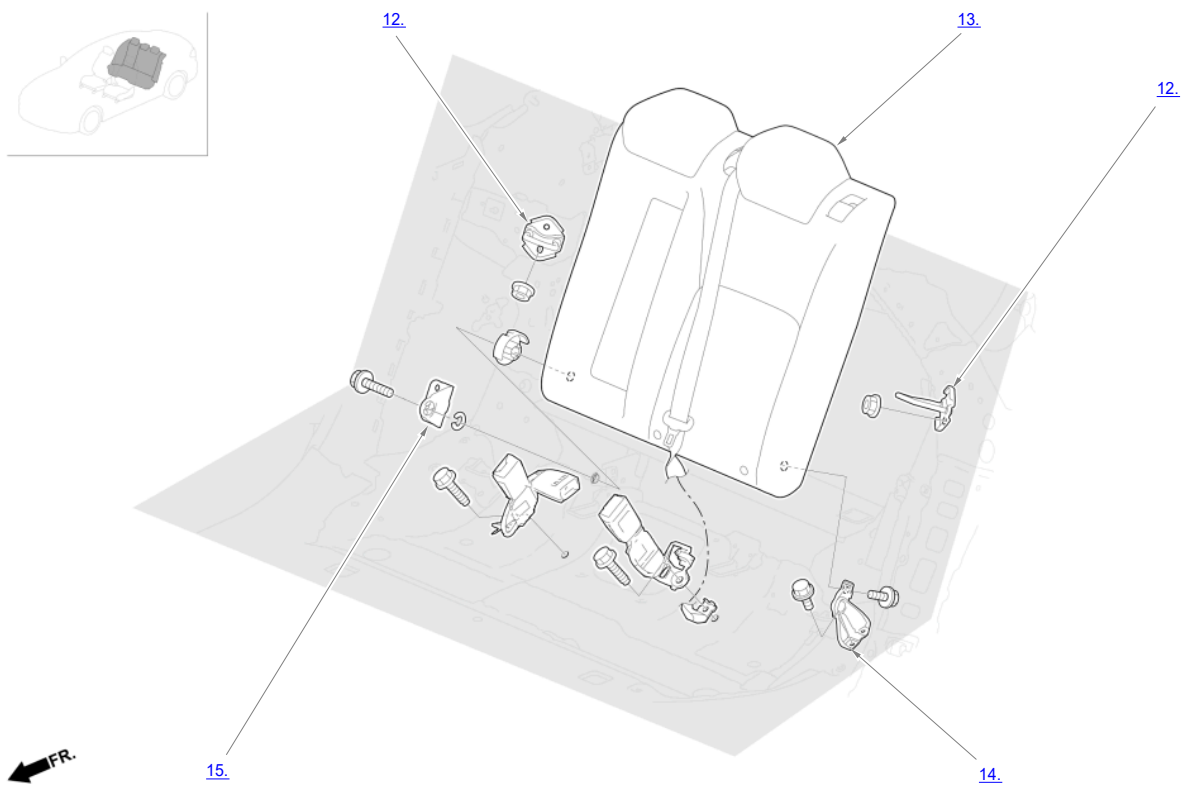
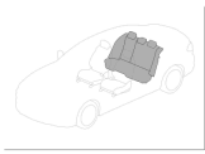
Except Type-S



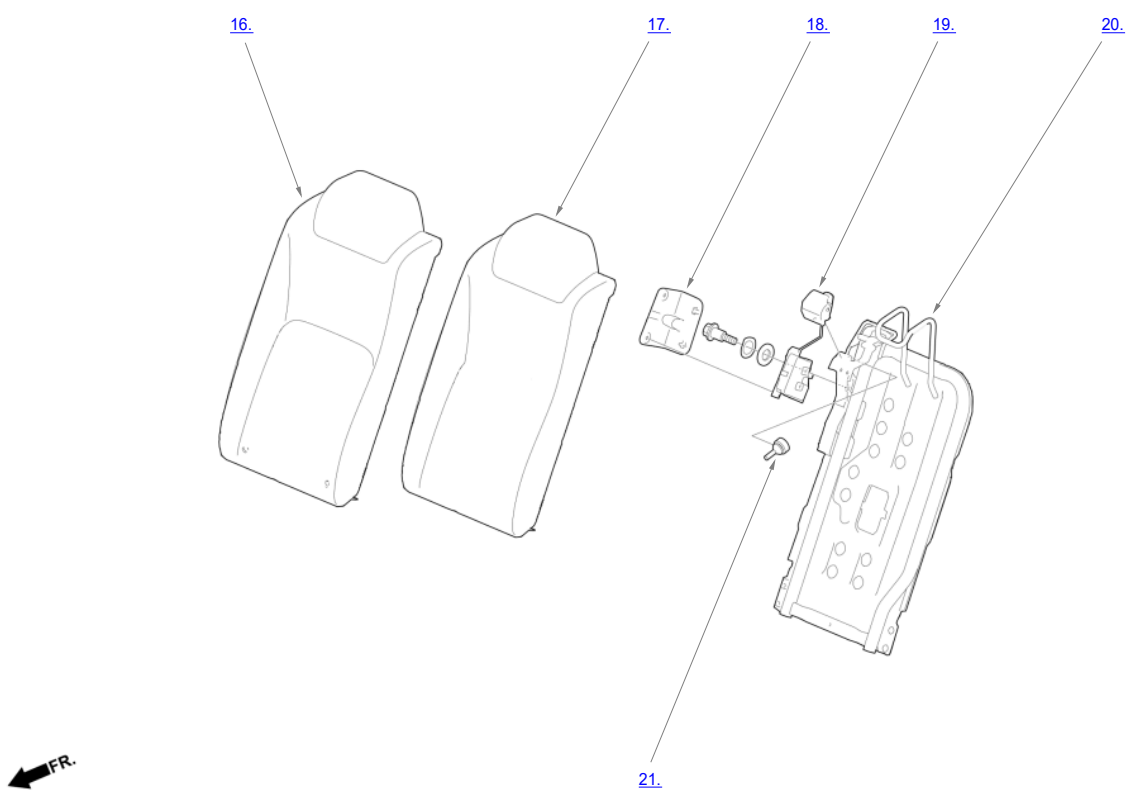
\*1: Part(s) are shown for one side only as the procedure is the same for both sides.  
\*2: With rear seat armrest.

2

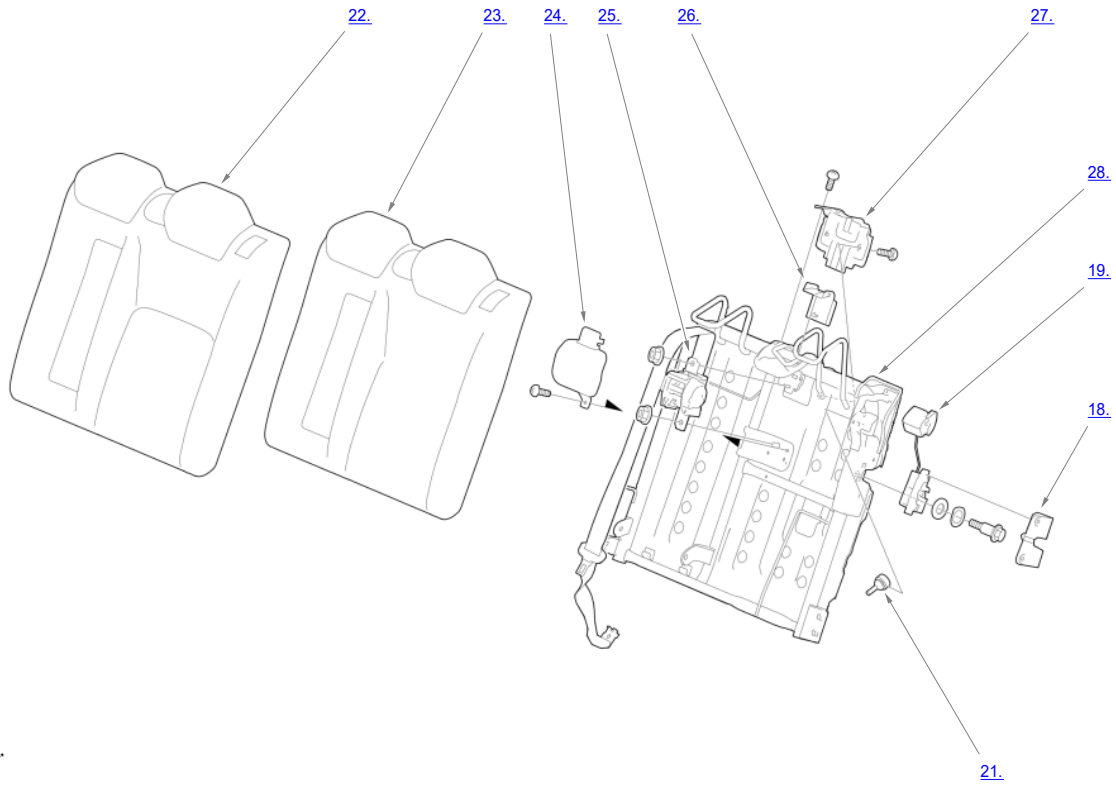
Except Type-S



3  
Except Type-S



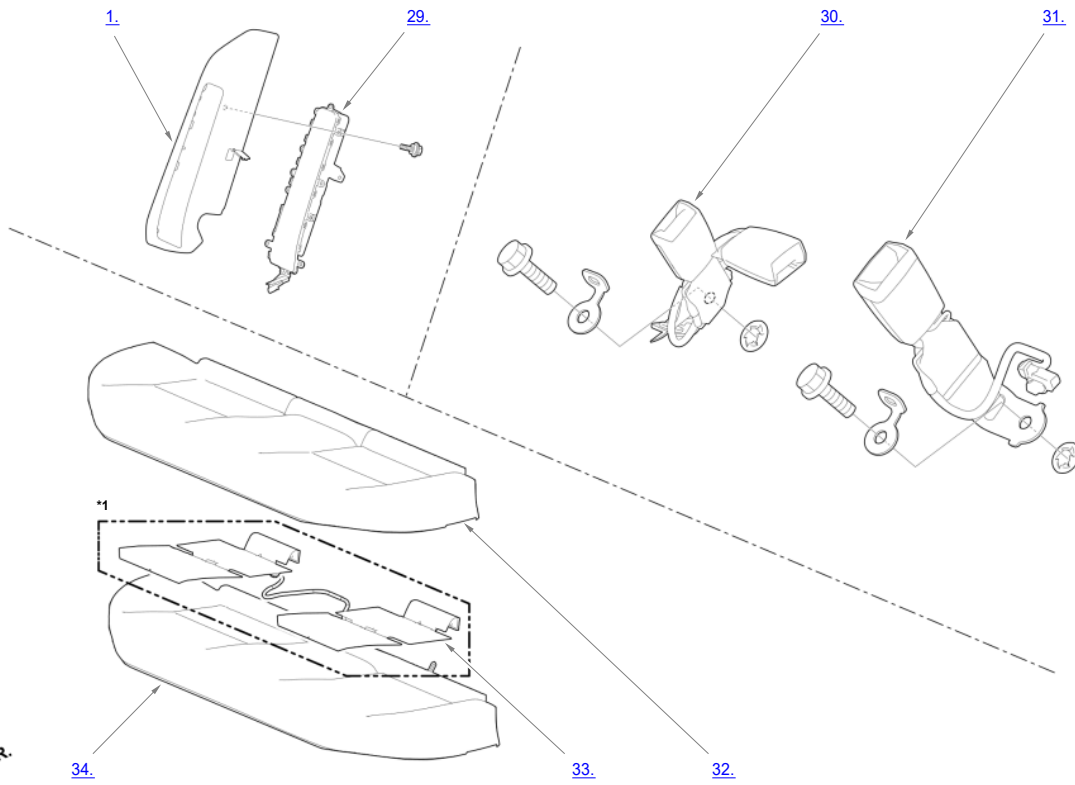
4  
Except Type-S



← FR.

5

Except Type-S

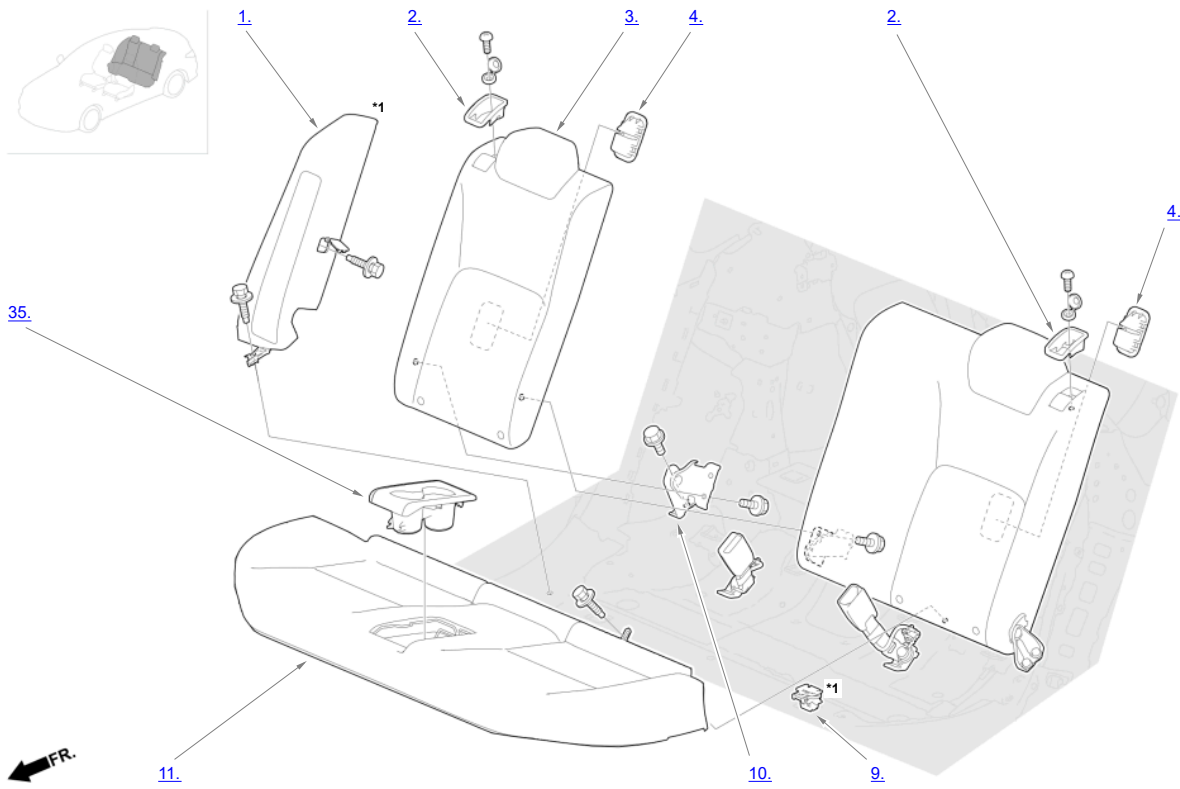


← FR.

\*1: With seat heater.

# 6

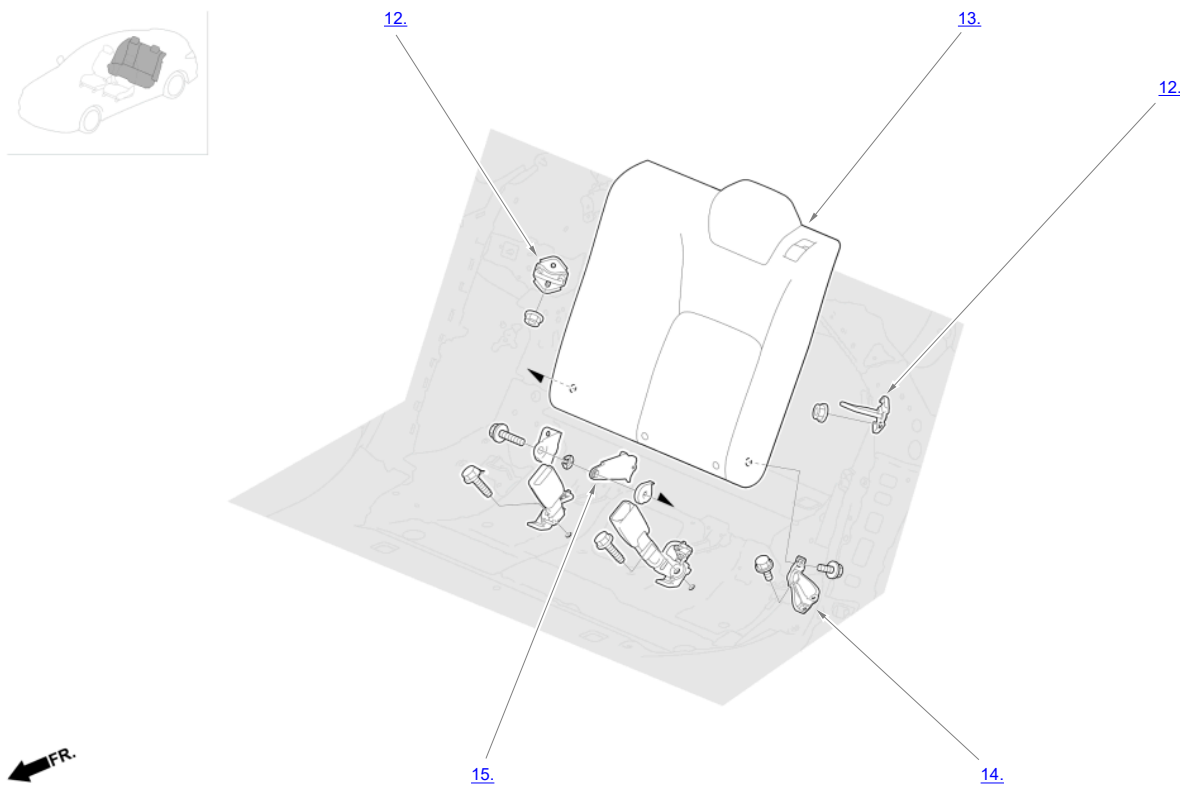
Type-S



\*1: Part(s) are shown for one side only as the procedure is the same for both sides.

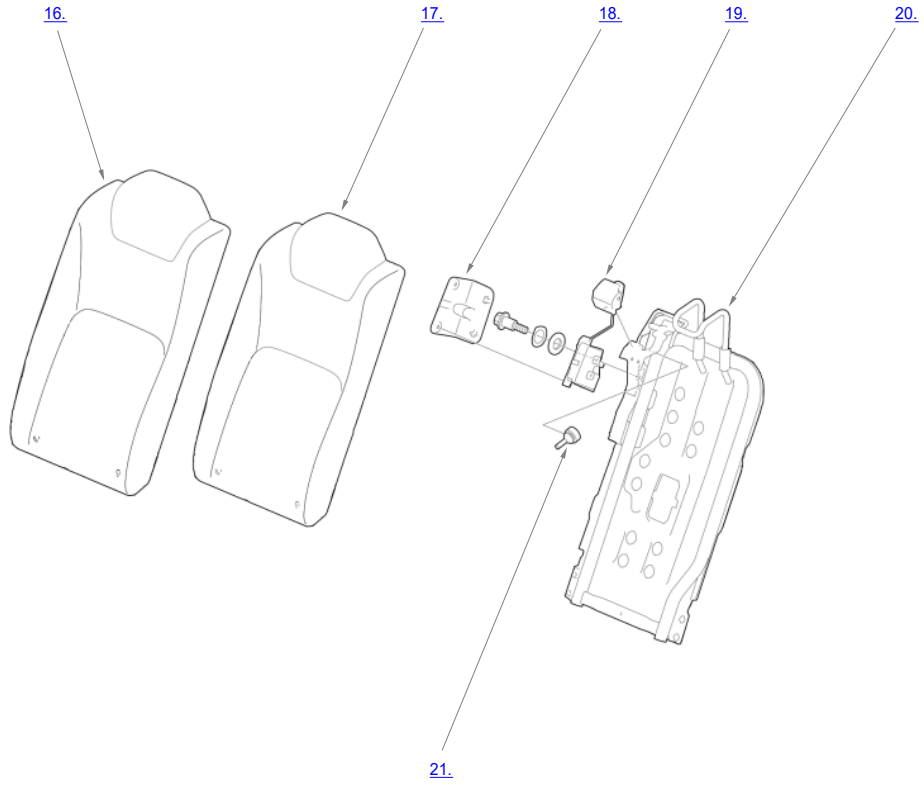
# 7

Type-S



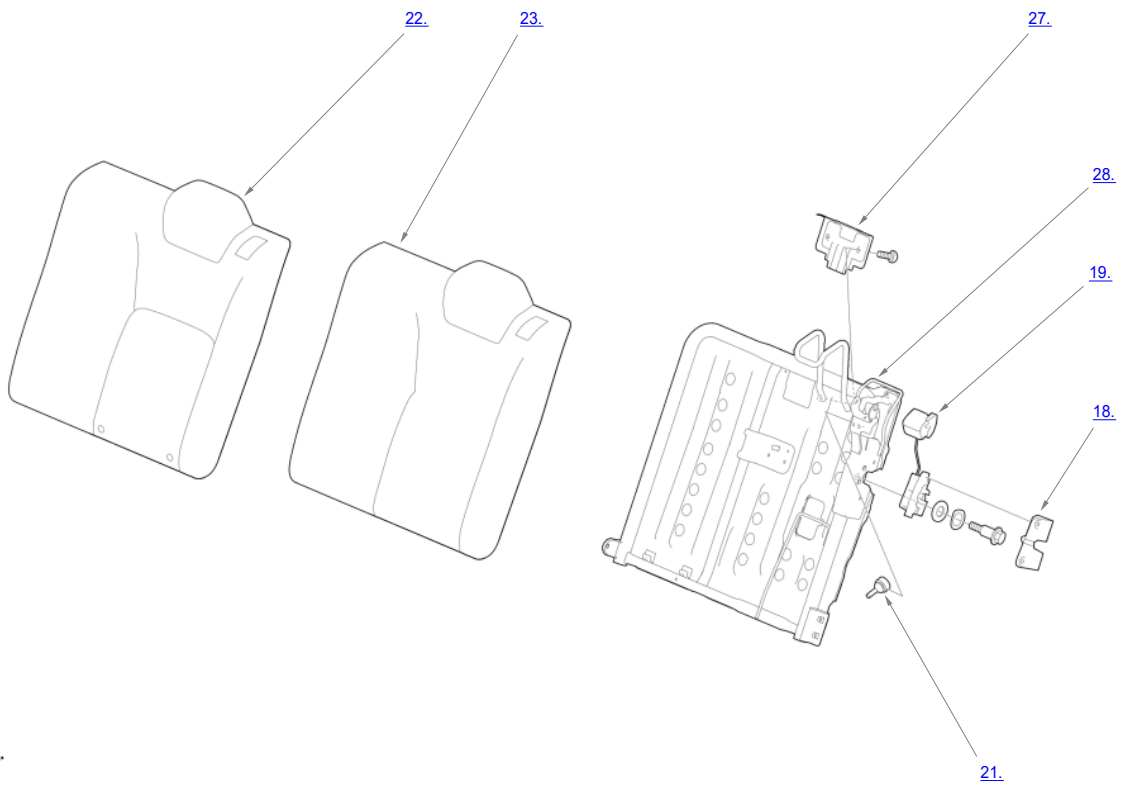
8

Type-S



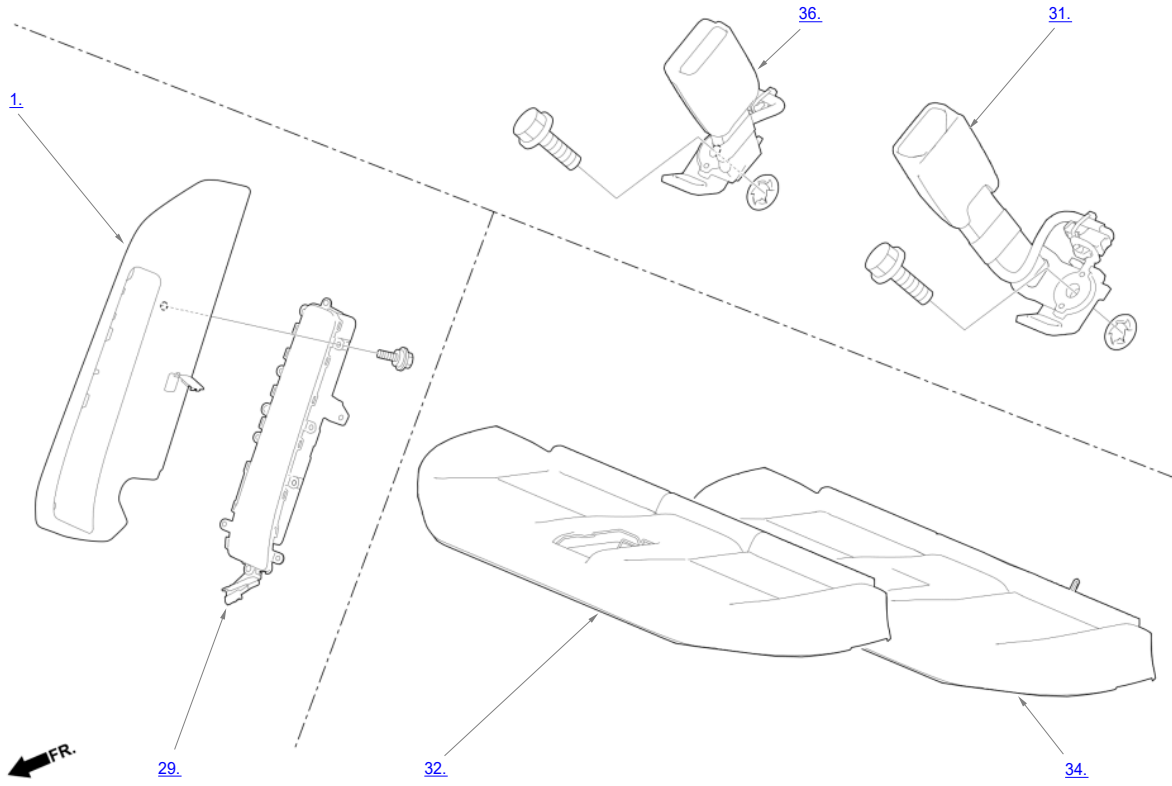
9

Type-S



# 10

Type-S



1. Rear Seat Side Bolster

2. Rear Seat Lock Trim

3. Right Rear Seat-Back

4. Tether Anchor Cover

5. Rear Seat Armrest Beverage Holder

6. Rear Seat Armrest Cover

7. Rear Seat Armrest

8. Rear Center Seat Belt Center Webbing Guide

9. Rear Seat Cushion Clip

10.Right Rear Seat Pivot Bracket

11.Rear Seat Cushion

12.Rear Seat-Back Striker

13.Left Rear Seat-Back

14.Left Rear Seat Pivot Bracket

15.Center Rear Seat Pivot Bracket

16.Right Rear Seat-Back Cover

17.Right Rear Seat-Back Pad

18.Rear Seat-Back Latch Cover

19.Rear Seat-Back Latch

20.Right Rear Seat-Back **Frame**

21.Damper

22.Left Rear Seat-Back Cover

23.Left Rear Seat-Back Pad

24.Rear Seat-Back Center ELR Cover

25.Rear Center Seat Belt Assembly

26.Rear Seat-Back Belt Guide Trim

27.Rear Seat-Back Bracket

28.Left Rear Seat-Back Frame

29.Rear Side Airbag

30.Center/Right Rear Seat Belt Buckle

31.Left Rear Seat Belt Buckle

32.Rear Seat Cushion Cover

33.Rear Seat Cushion Heater

34.Rear Seat Cushion Pad

35.Rear Seat Cushion Beverage Holder

36.Right Rear Seat Belt Buckle