

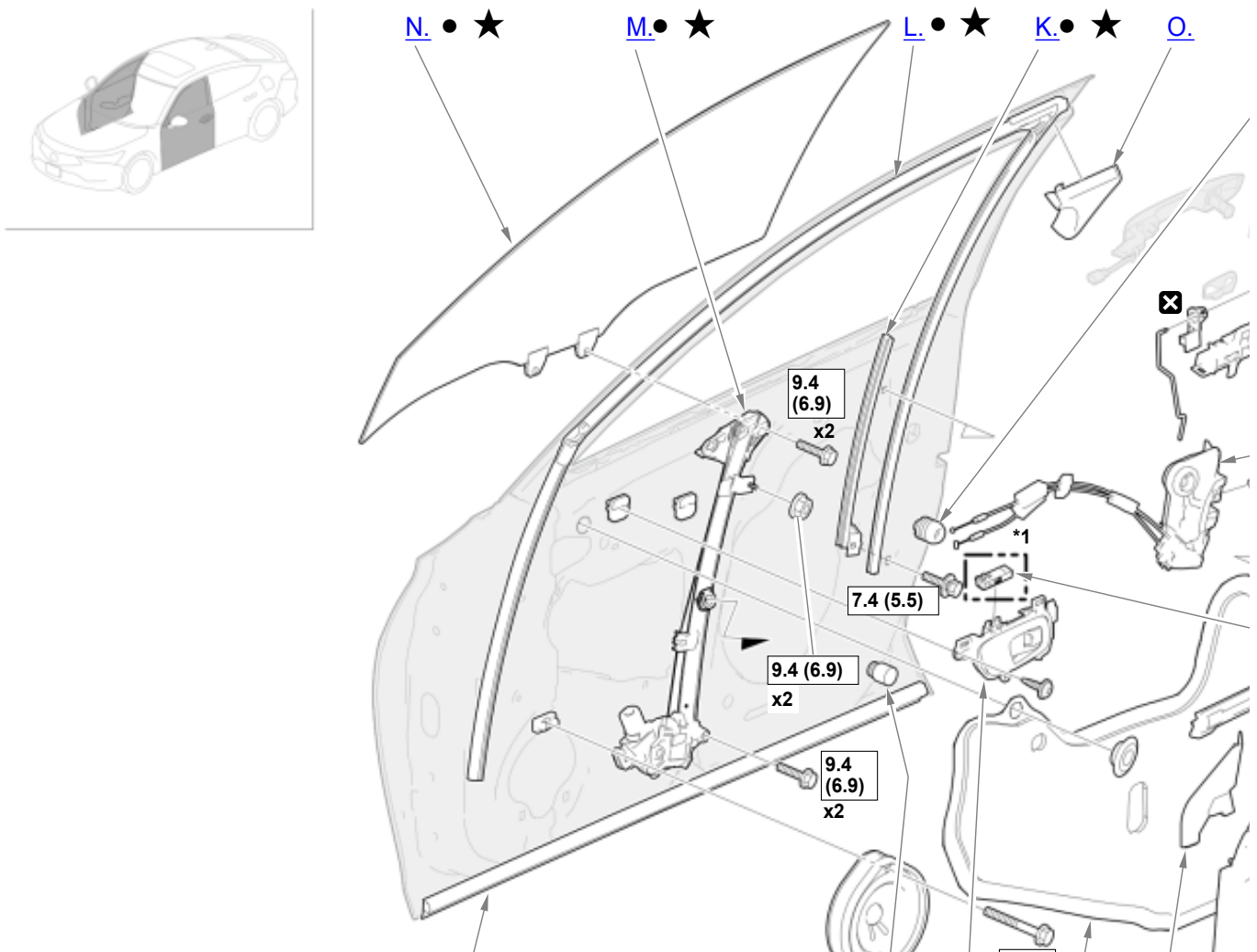
FRONT DOOR - INNER SIDE AREA

Front Door - Inner Side Area

How to use this manual.

NOTE: In the illustration, only one side is shown because the component parts and the removal/installation procedure are the same.

1



FR.

J.

H.

I.

4.4
(3.2)

C.

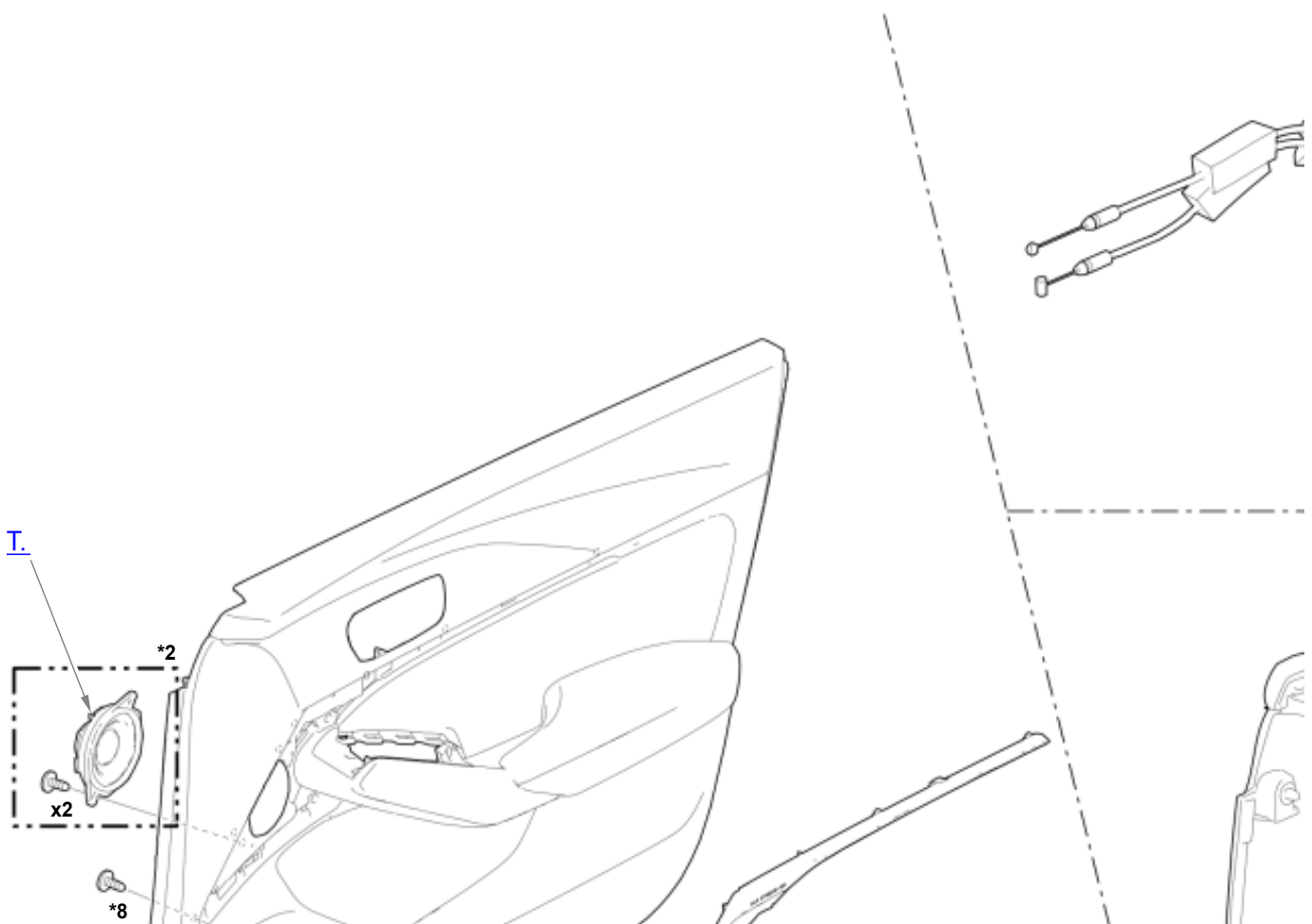
G.

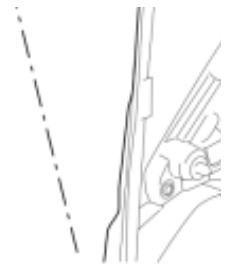
D.

Torque, N·m (lbf·ft)	Replace	Warning/Caution	Inspection/Adjustment	Learning	SPL Tool	Required Removal

*1: With door inner handle light

2



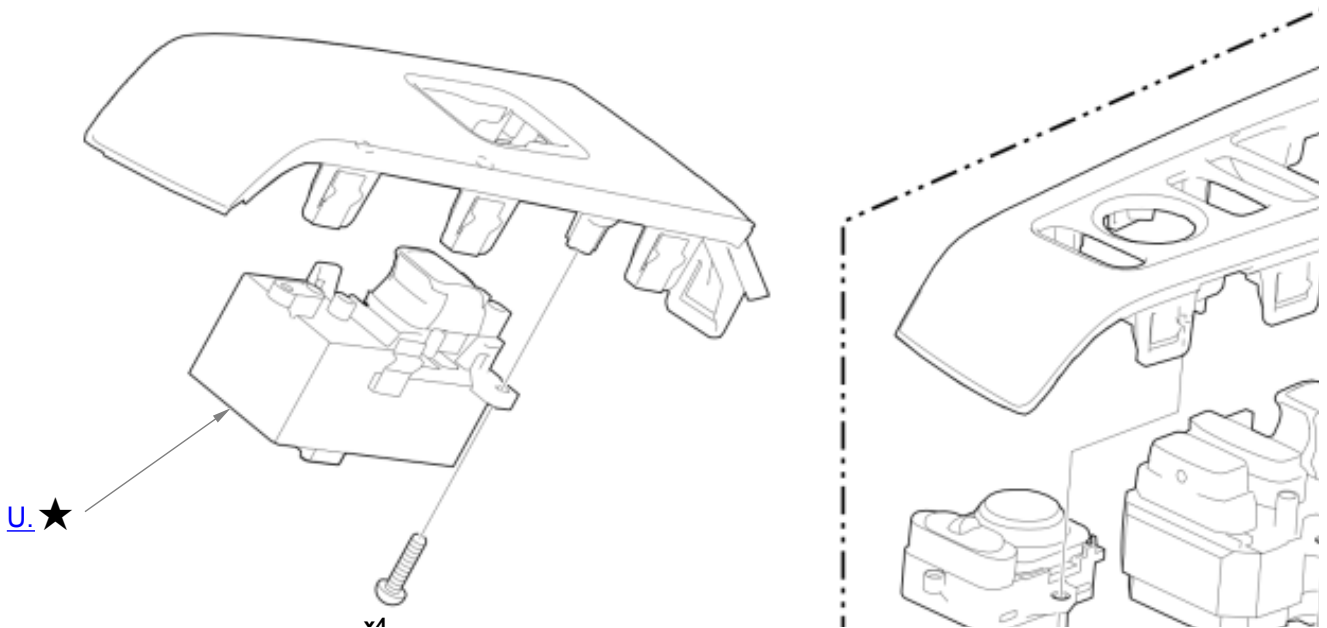


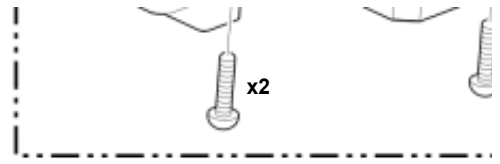
FR.








Torque, N·m (lbf·ft)	Replace	Warning/Caution	Inspection/Adjustment	Learning	SPL Tool	Required Removal

*1: With driving position memory system
 *2: Display audio type

3





						
Torque, N·m (lbf·ft)	Replace	Warning/Caution	Inspection/Adjustment	Learning	SPL Tool	Required Removal

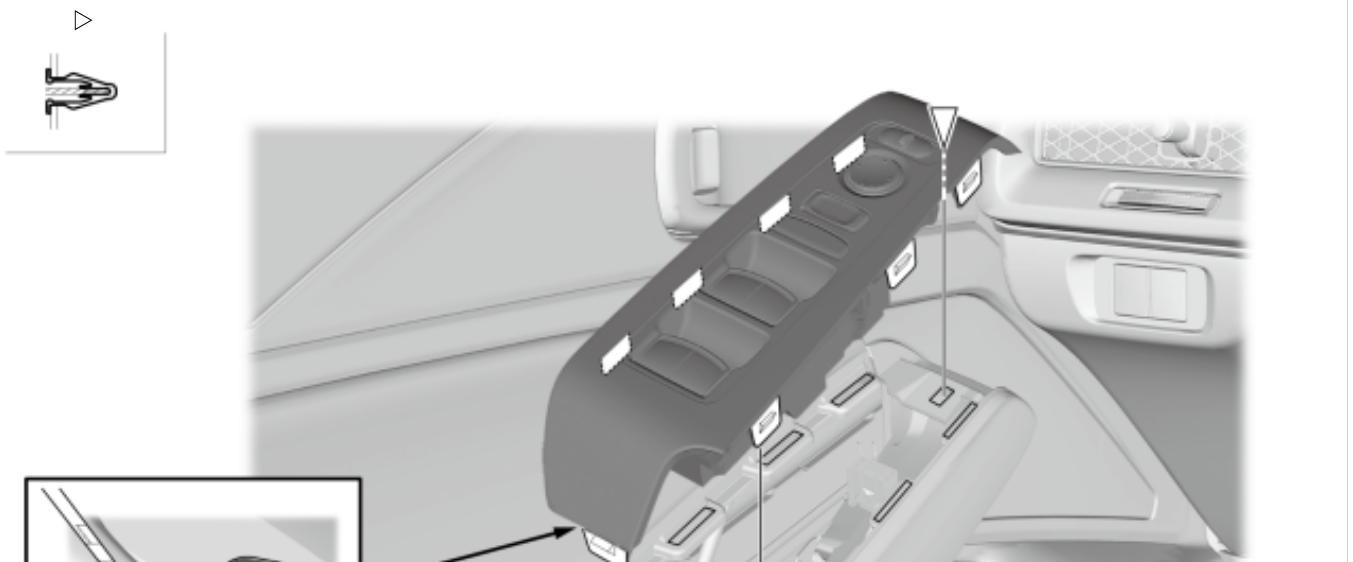
*1: Driver's side

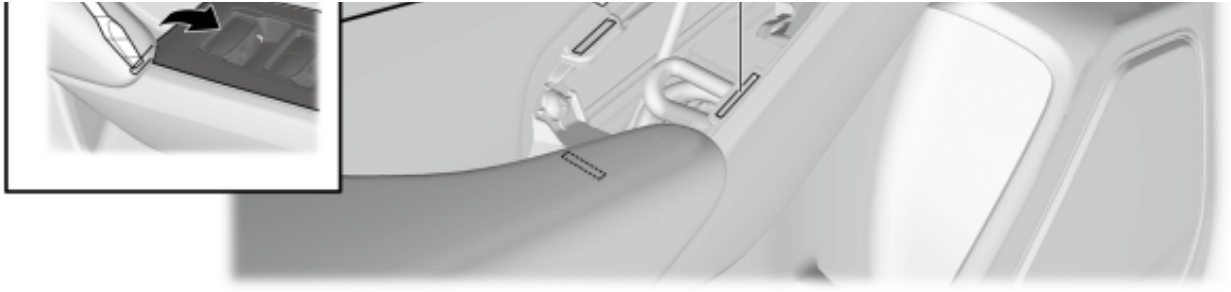
A.-

■ Sub-Procedure

● Removal

- Refer to the figure.





B.-

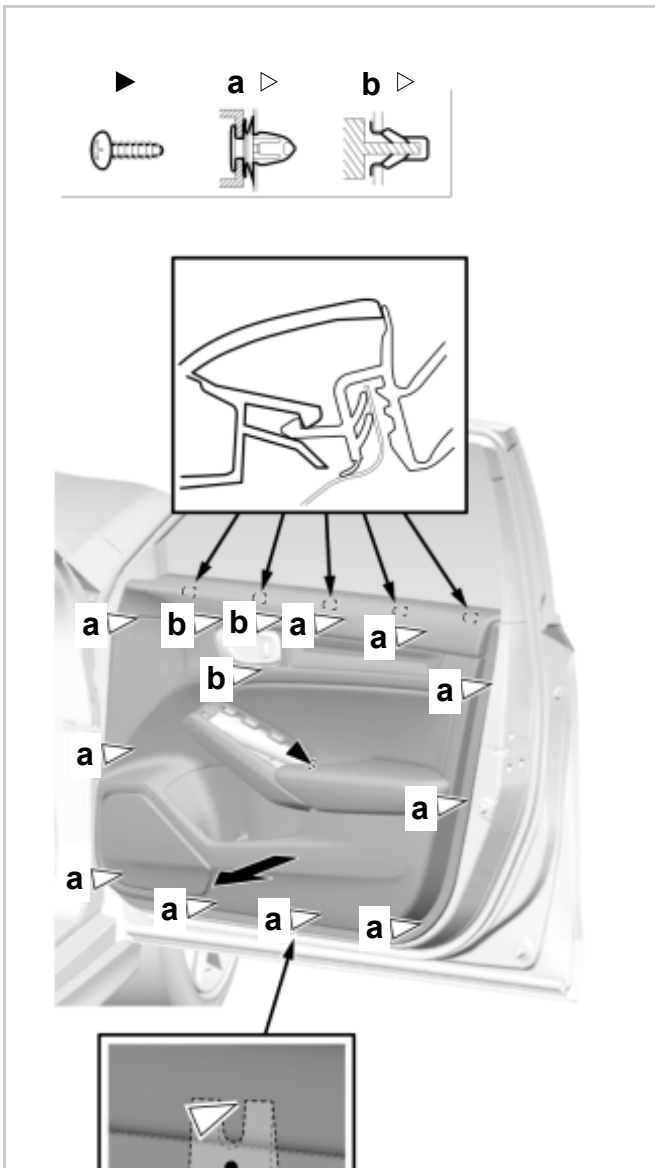
■ Sub-Procedure

● Removal

- Refer to the figure.

Tool Details

Name	
c	Trim tool (Commercially available tool)





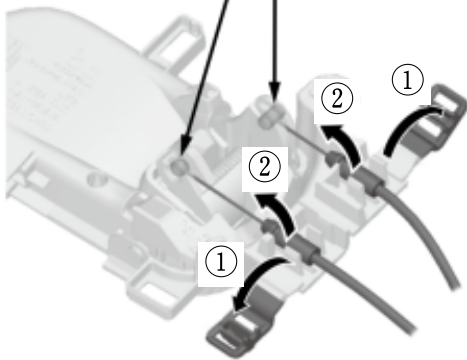
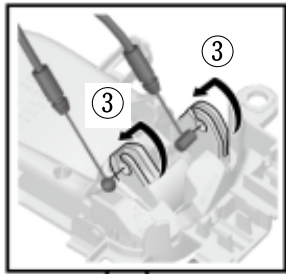
[Open In New Tab](#) [Zoom/Print](#)

C. -

■ Sub-Procedure

● Removal

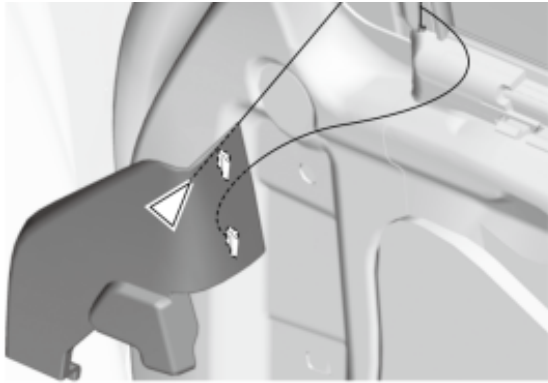
- Refer to the figure.



[Open In New Tab](#) [Zoom/Print](#)

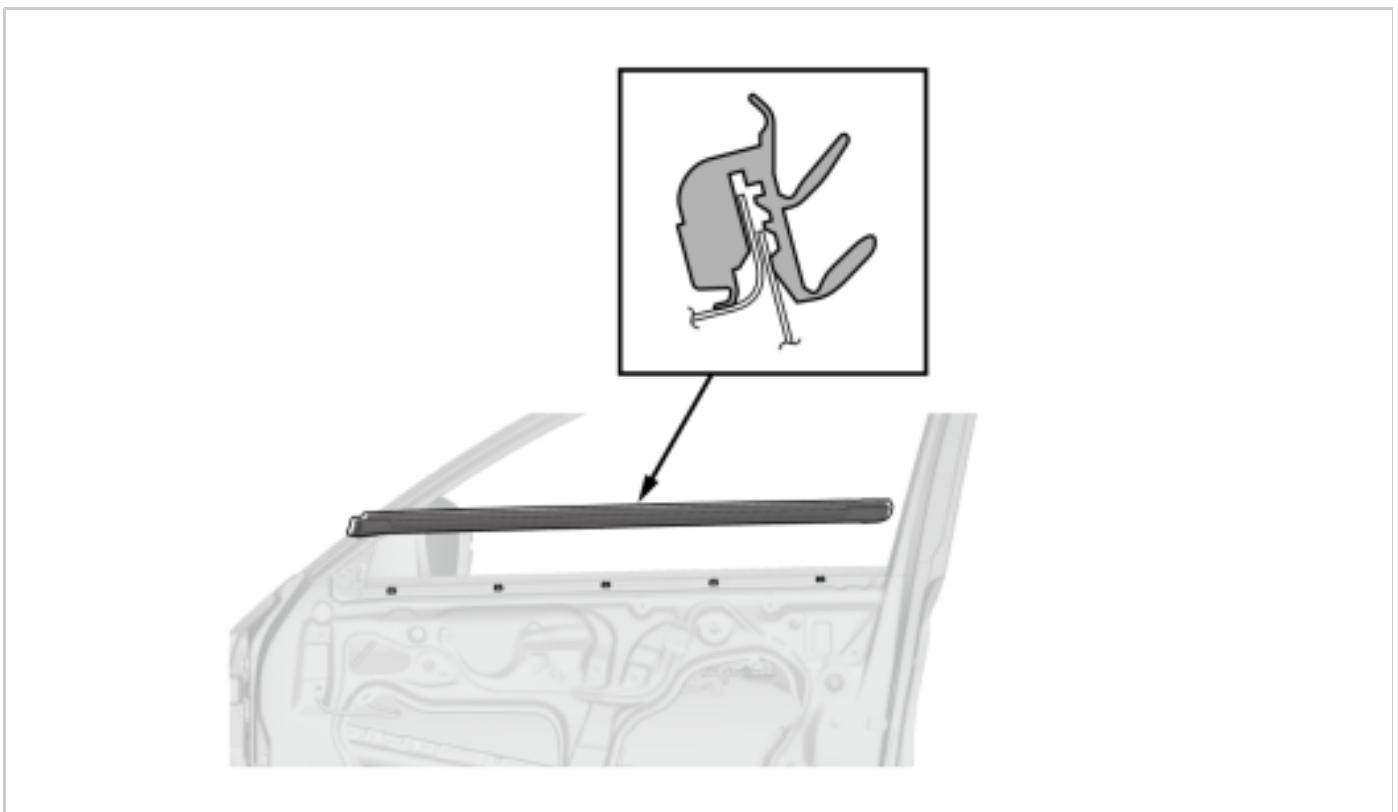
D. -





Open In New Tab Zoom/Print

E. -

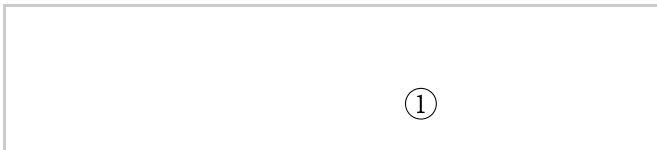


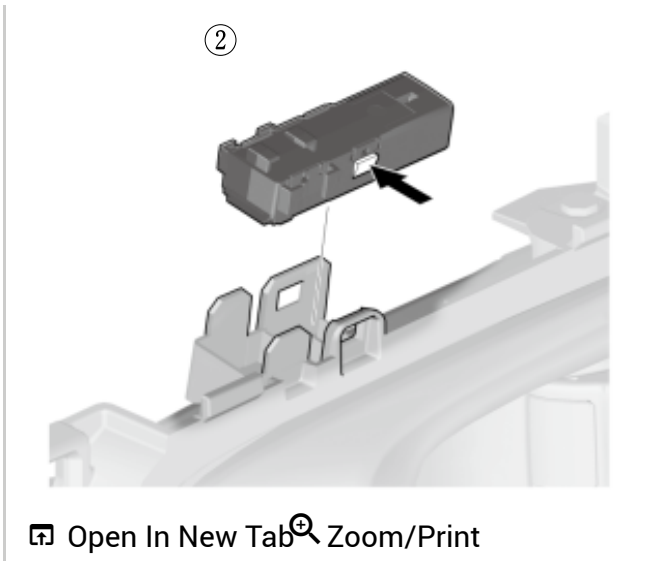
F. -

■ Sub-Procedure

● Removal

- Refer to the figure.





G.-

■ Sub-Procedure

● Removal

- Refer to the figure.



H.-

● Installation

NOTE: If the front door plastic cover is damaged or torn, replace it with a new one.

■ Sub-Procedure

● Removal

- Refer to the figure.



I. -

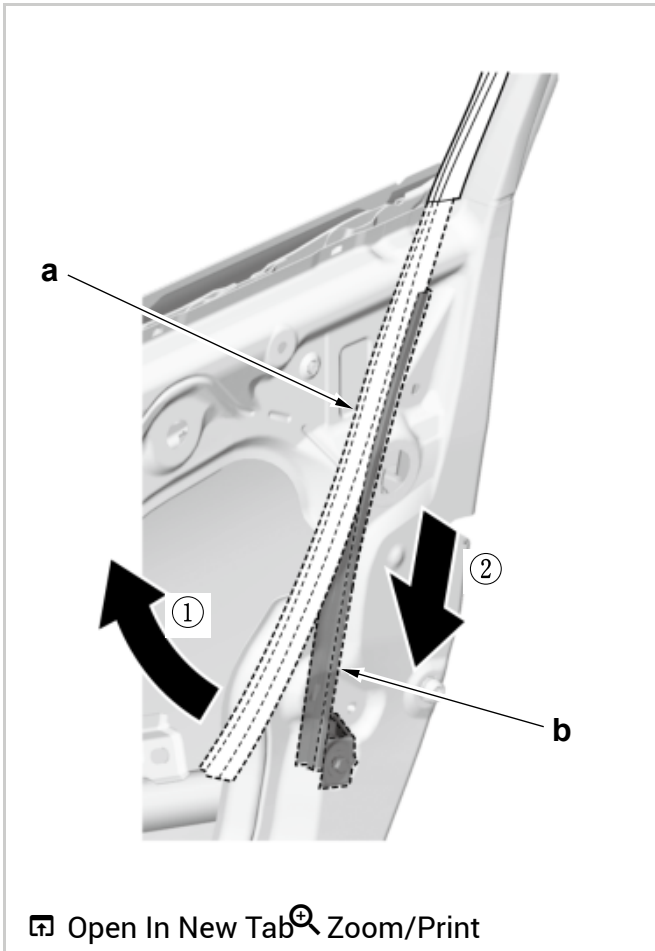
■ After Installation

1. Front Door Position Adjustment

J. -



K. -



■ Sub-Procedure

● Removal

1. Remove the front door glass run channel (a) as needed.
2. Remove the front door center lower channel (b).

■ After Installation

1. Front Door Glass Adjustment
2. Power Window Control Unit Reset

L. -

■ After Installation

- Front Door Glass Adjustment
- Power Window Control Unit Reset

M.-

■ Sub-Procedure

● Removal

1. Refer to figure 1.
2. Pull the front door glass (a) up to the fully closed position and hold it so that it does not drop. (Figure 2)
3. Remove the front door regulator (b). (Figure 2)

Figure 1

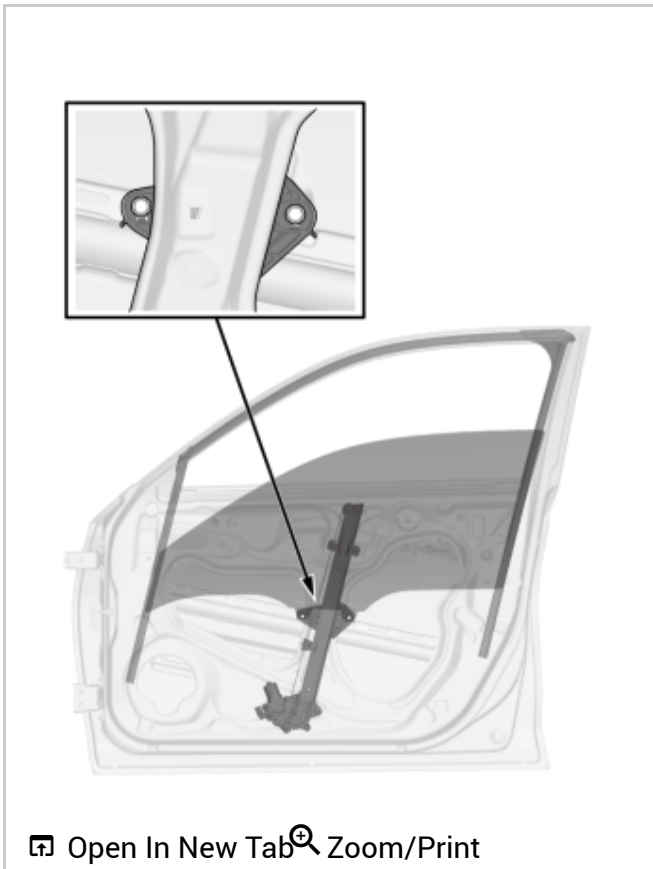
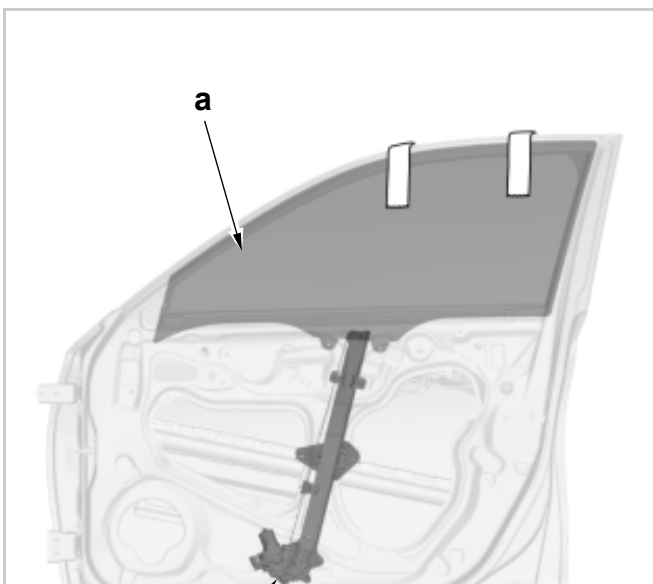


Figure 2



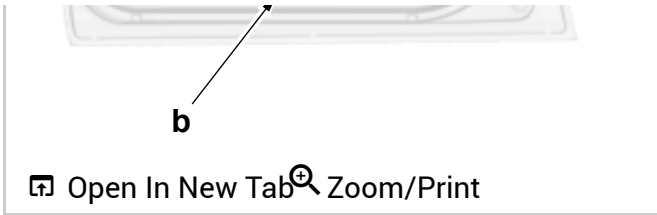
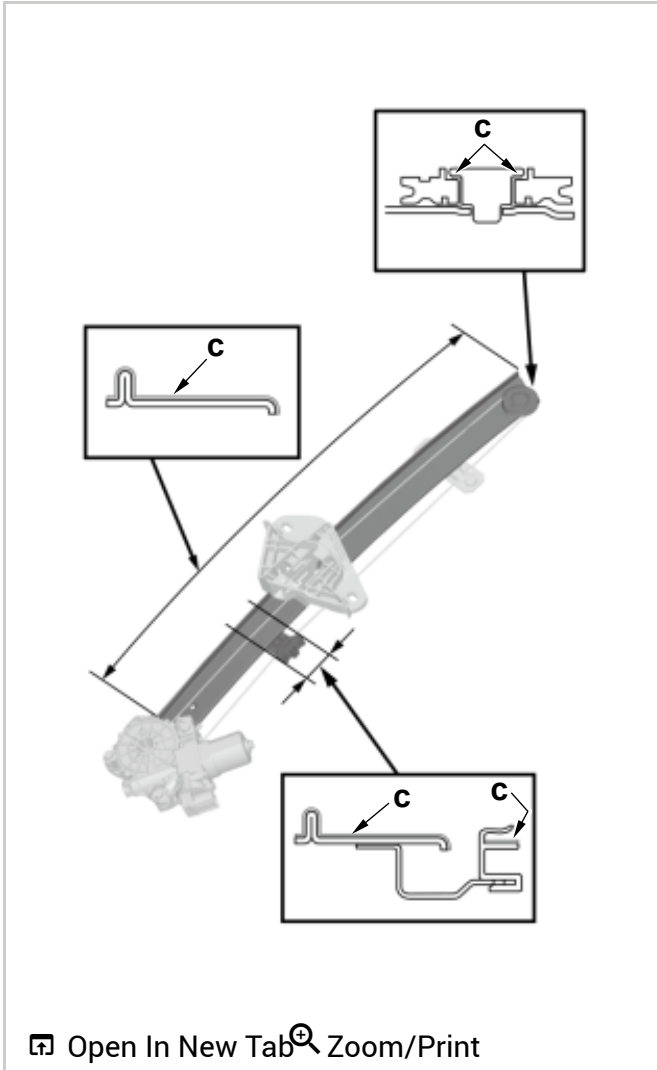


Figure 3



● Installation

Lubricant Specifications (Figure 3)

Position	Type
c	Multipurpose Grease

■ After Installation

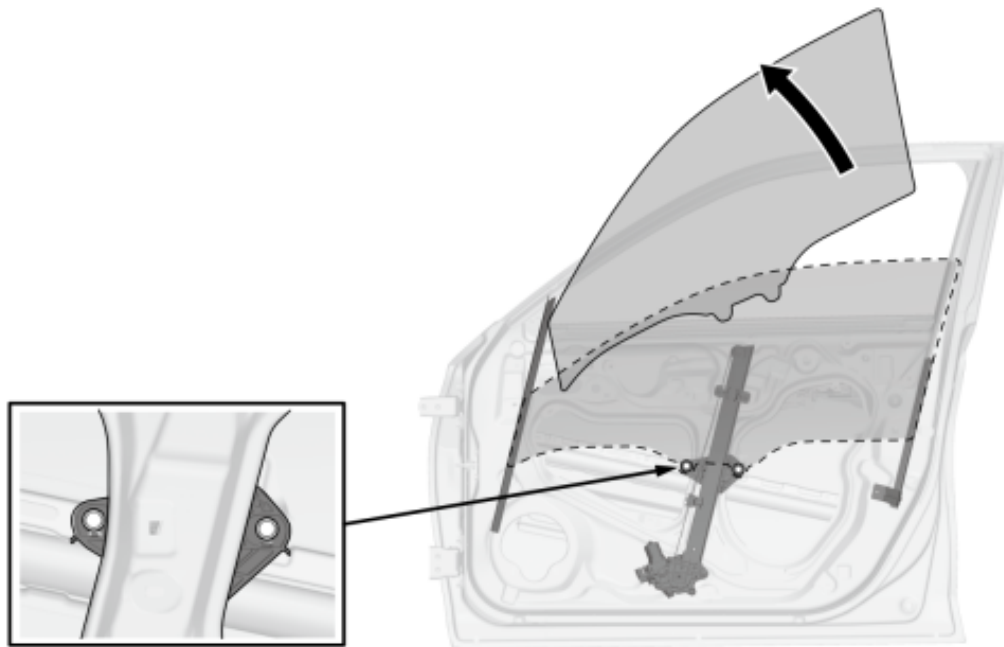
1. Front Door Glass Adjustment
2. Power Window Control Unit Reset

N.-

■ Sub-Procedure

- **Removal**

- Refer to the figure.



- **After Installation**

1. Front Door Glass Adjustment
2. Power Window Control Unit Reset

0.-

- **Sub-Procedure**

- **Removal**

- Refer to the figure.





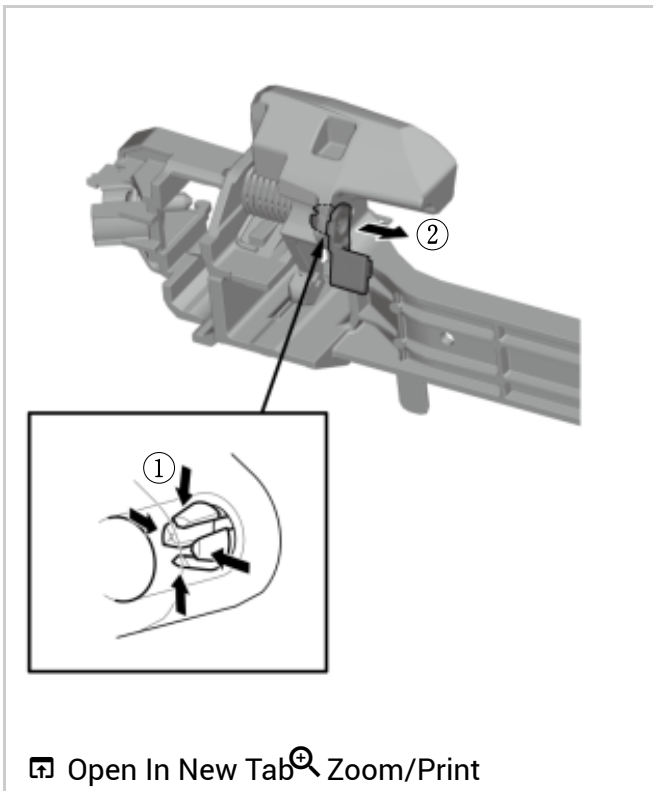
[Open In New Tab](#) [Zoom/Print](#)

P. -

■ Sub-Procedure

● Removal

- Refer to the figure.



[Open In New Tab](#) [Zoom/Print](#)

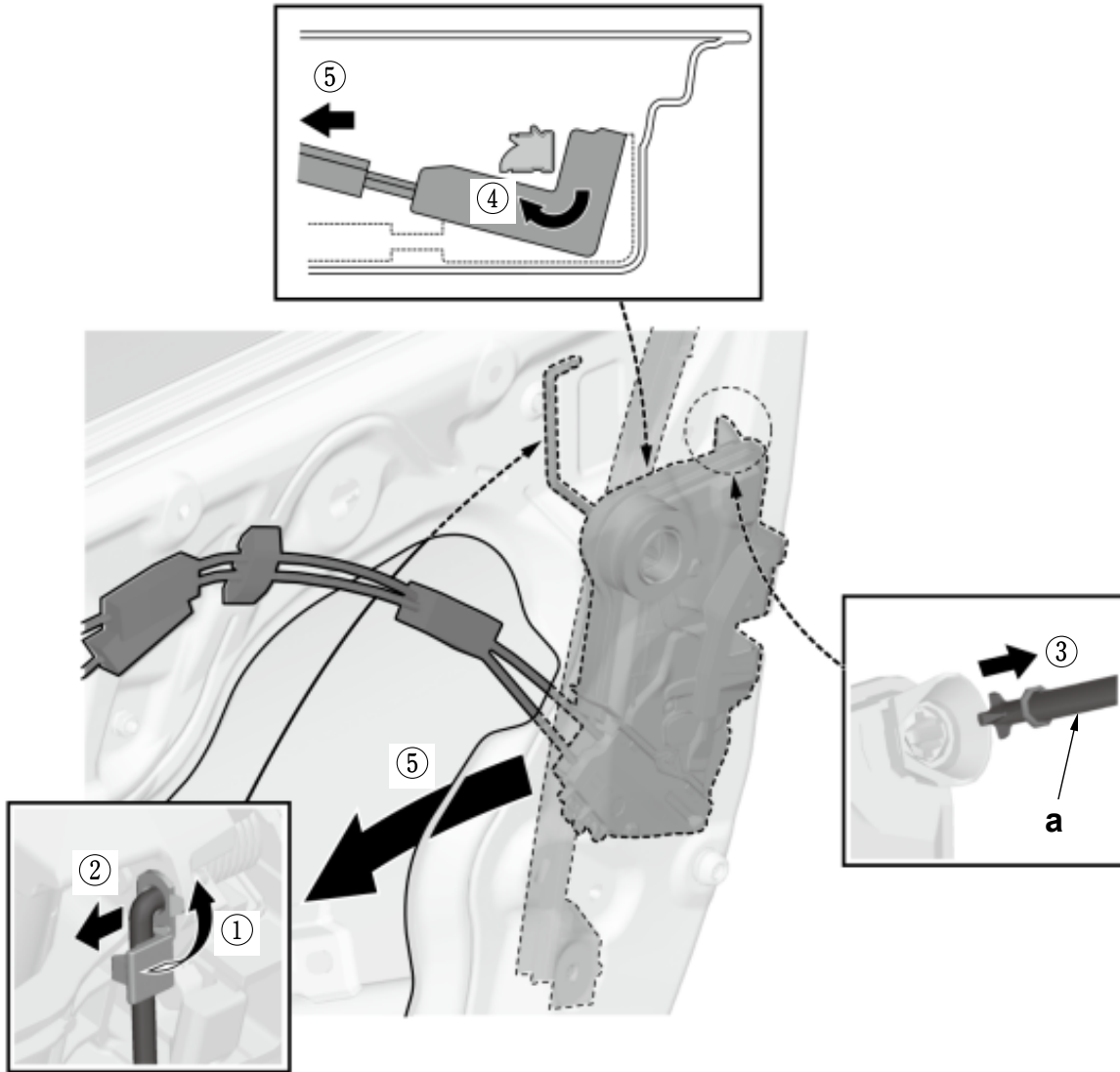
Q. -

■ Sub-Procedure

● Removal

- Driver's side: Disconnect the lock cylinder rod (a). (Figure 1)

Figure 1



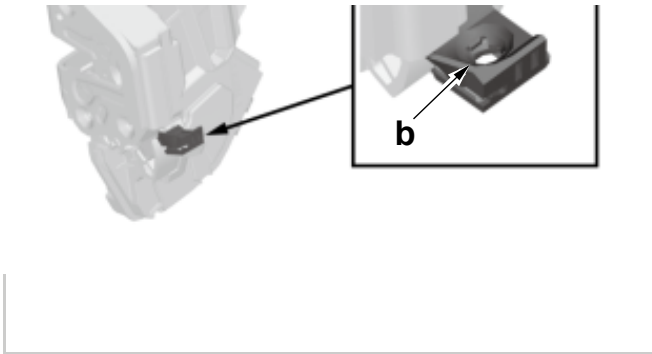
● **Installation**

Lubricant Specifications (Figure 2)

Position	Type
b	Multipurpose Grease

Figure 2



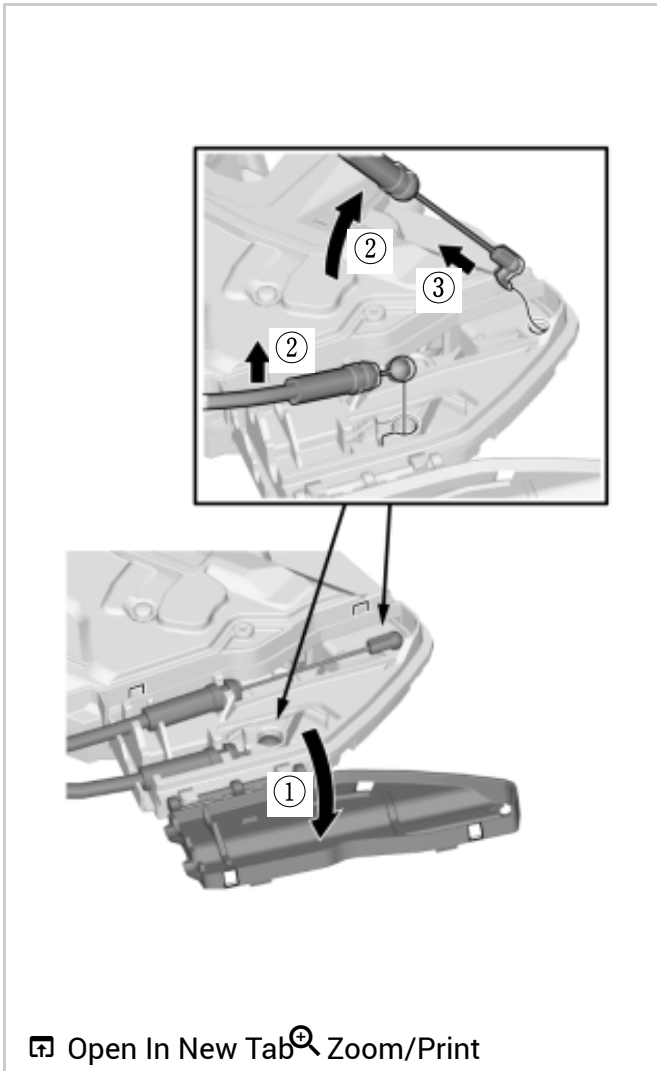


R. -

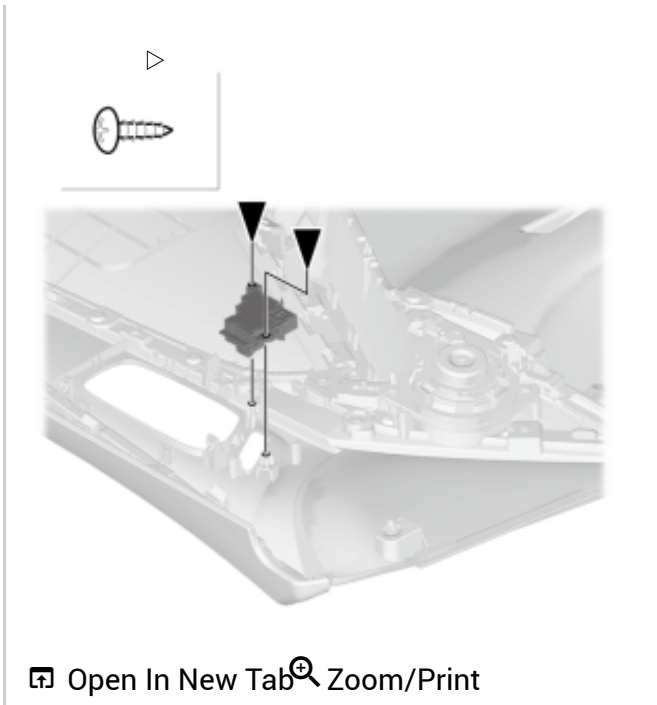
■ Sub-Procedure

● Removal

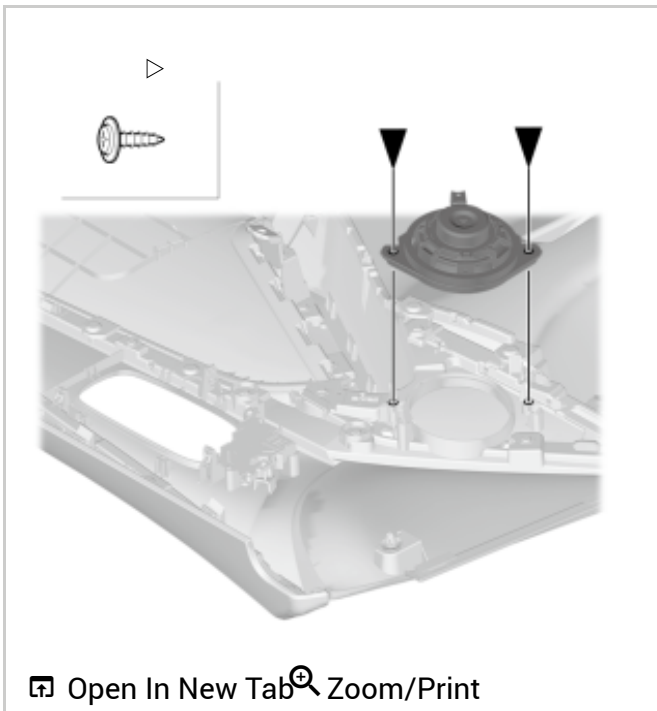
- Refer to the figure.



S. -



T. -



U. -

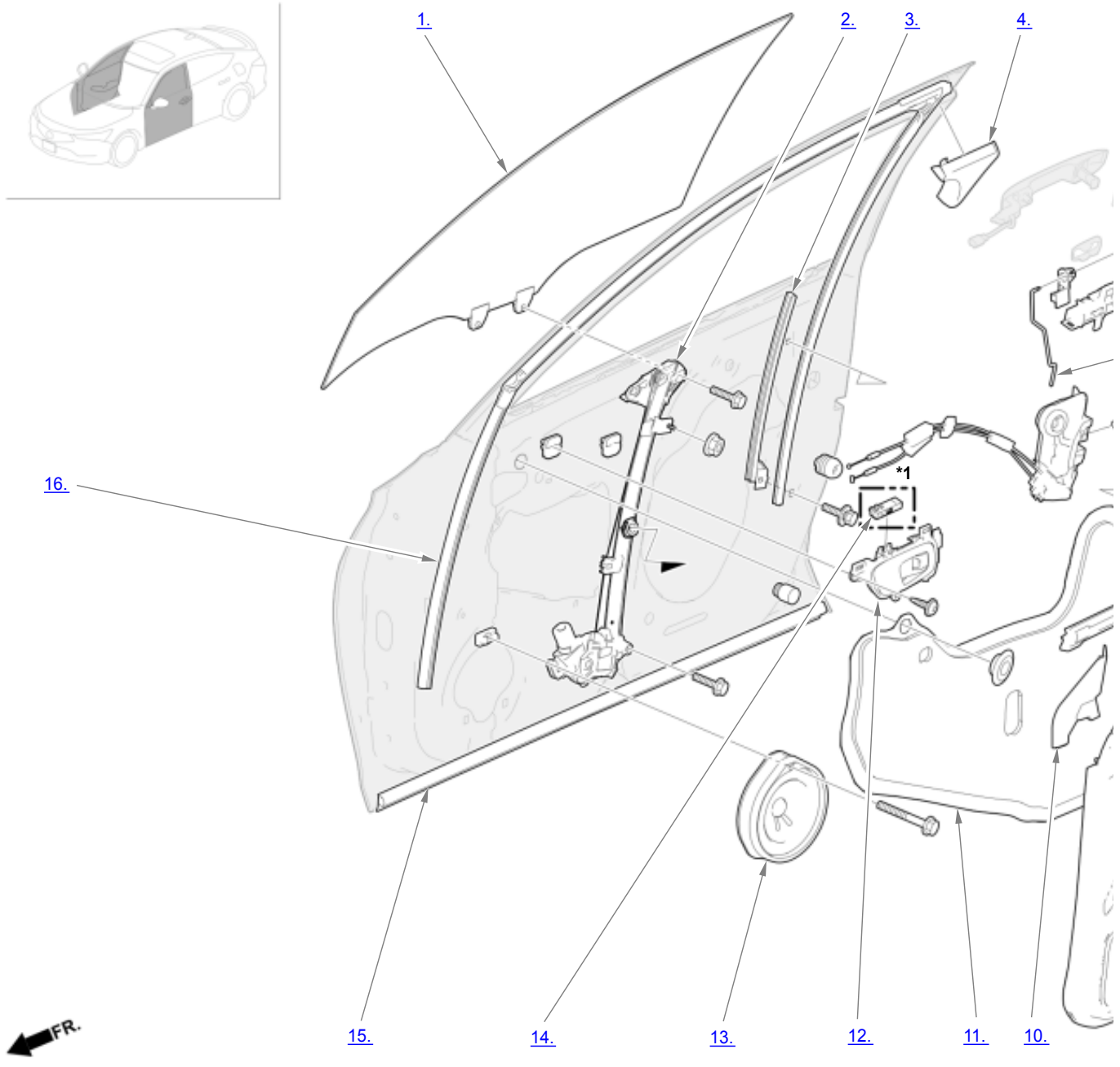
NOTE: If the power window switch is replaced, reset the power window control unit. If the original power window switch is installed, confirm that the power window works properly.

■ After Installation

- Power Window Control Unit Reset

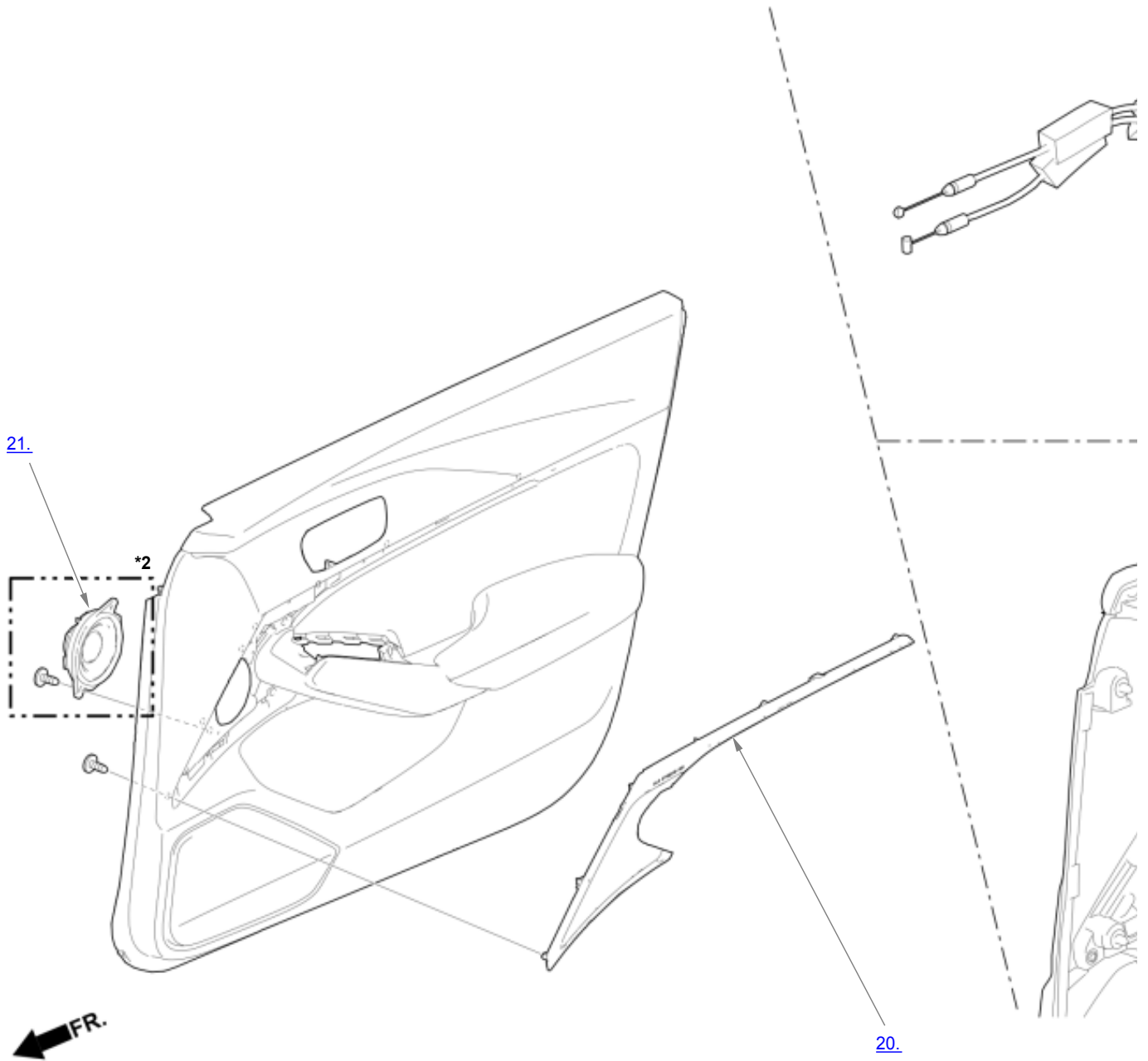
NOTE: In the illustration, only one side is shown because the component parts and the removal/installation procedure are the same.

1



*1: With door inner handle light

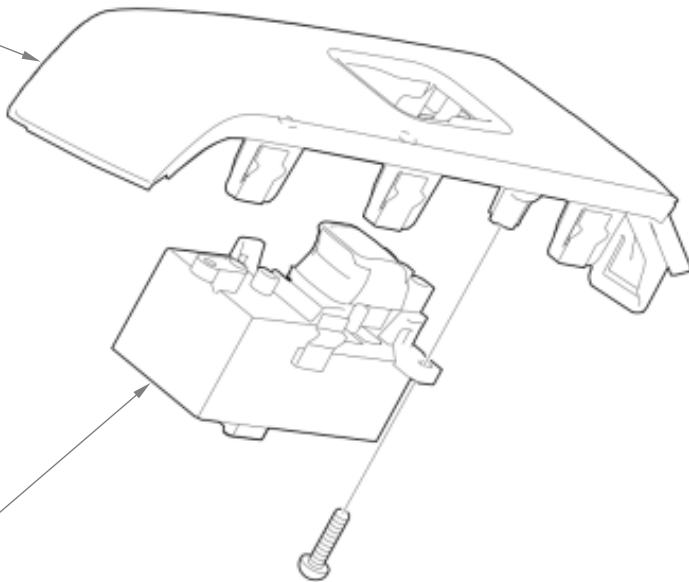
2



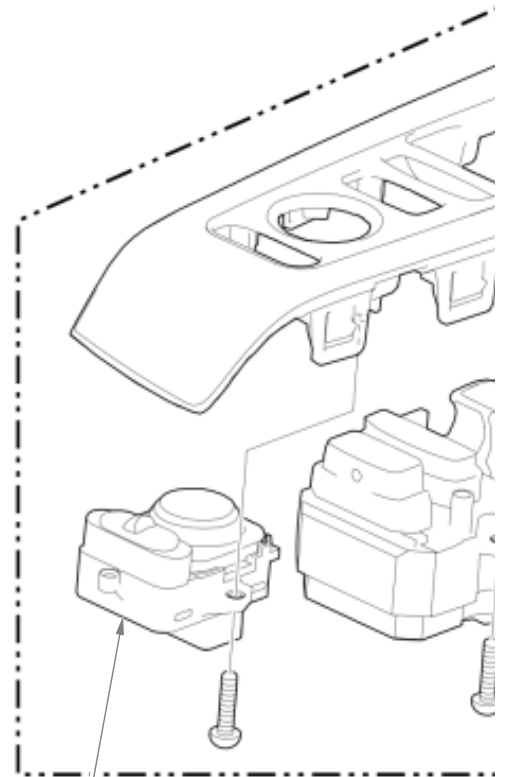
*1: With driving position memory system
*2: Display audio type

3

[22.](#)



[25.](#)



[24.](#)



*1: Driver's side

1. Front Door Glass

2. Front Door Regulator

3. Front Door Center Lower Channel

4. Front Door Center Corner Trim

5. Front Door Outer Handle Base

6. Front Door Outer Handle Rod

7. Front Door Glass Inner Weatherstrip

8. Front Door Switch Panel Assembly

9. Front Door Panel

10. Front Door Corner Inner Trim

11. Front Door Plastic Cover

12. Front Door Inner Handle

13. Front Door Speaker (17 cm)

14. Door Inner Handle Light

15.Front Door Lower Seal

16.Front Door Glass Run Channel

17.Front Door Latch Cable

18.Front Door Latch

19.Seat Position Memory Switch

20.Ornament Panel

21.Front Door Tweeter

22.Front Door Switch Panel

23.Power Window Master Switch

24.Power Mirror Switch

25.Front Passenger's Power Window Switch