

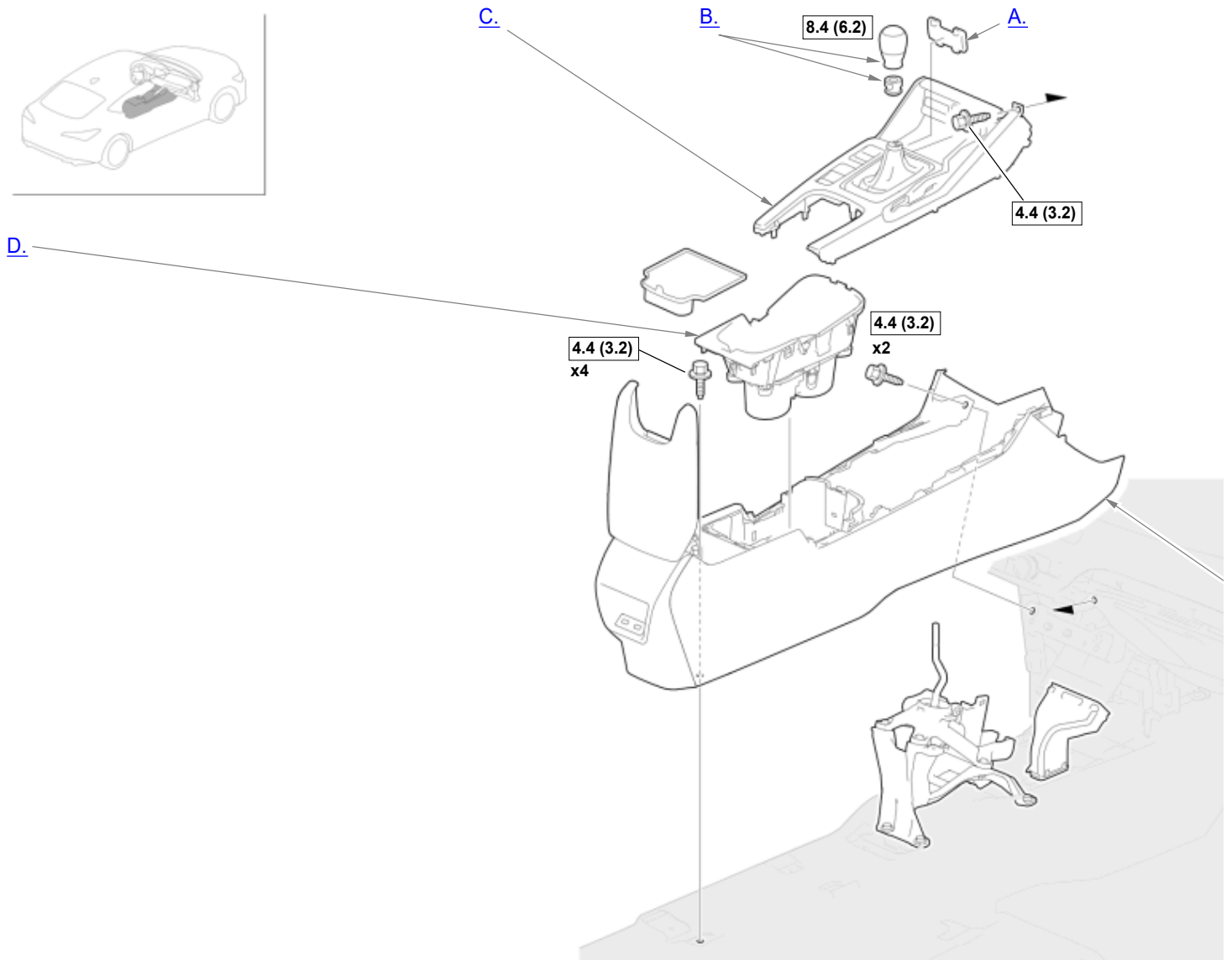
CENTER CONSOLE AREA (M/T)






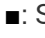

Center Console Area

How to use this manual.

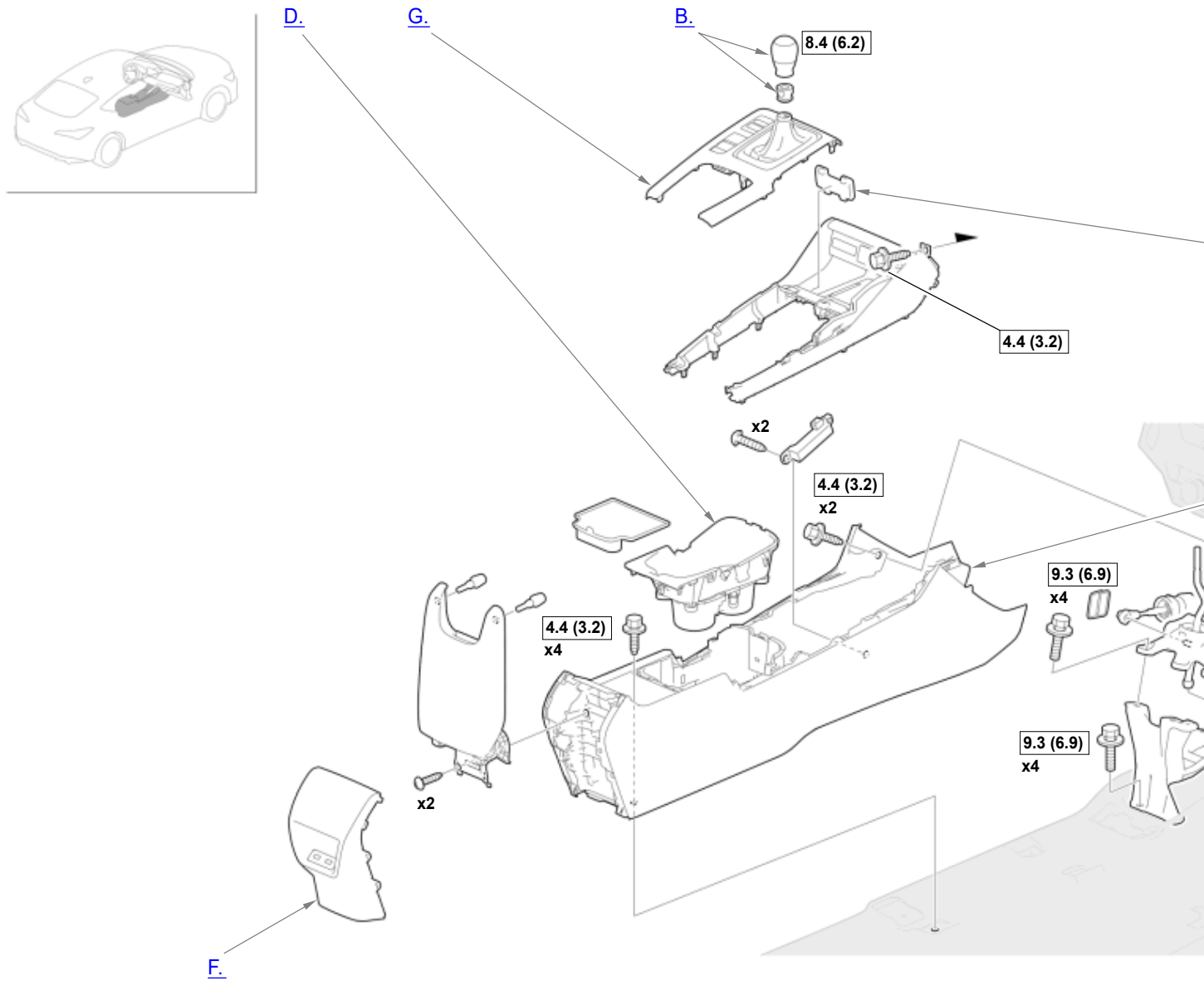
1






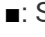

Center Console Assembly Removal



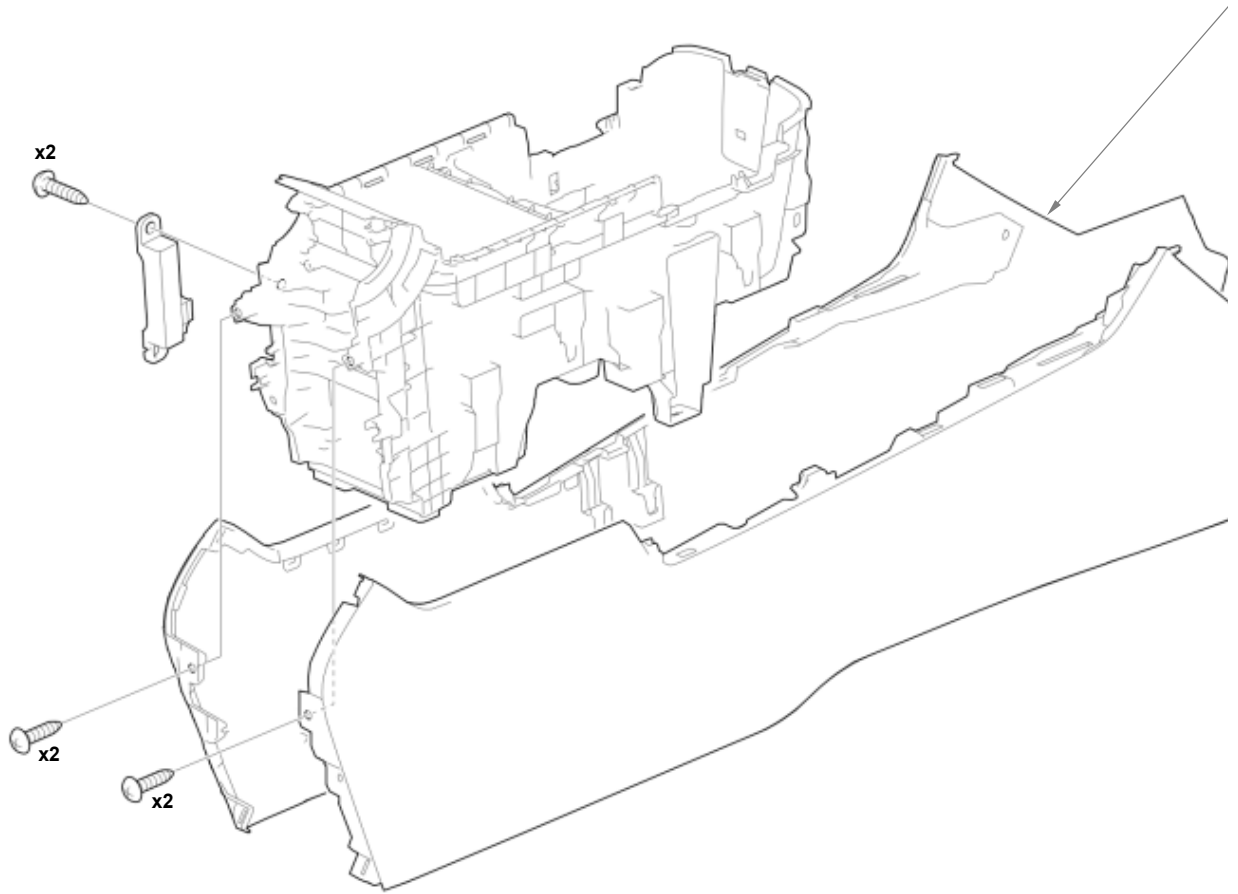
 : Torque, N·m (lbf·ft)	 : Replace	 : Warning/Caution	 : Inspection/Adjustment	 : Learning	 : SPL Tool	 : Required Removal
---	--	--	--	---	---	---







2

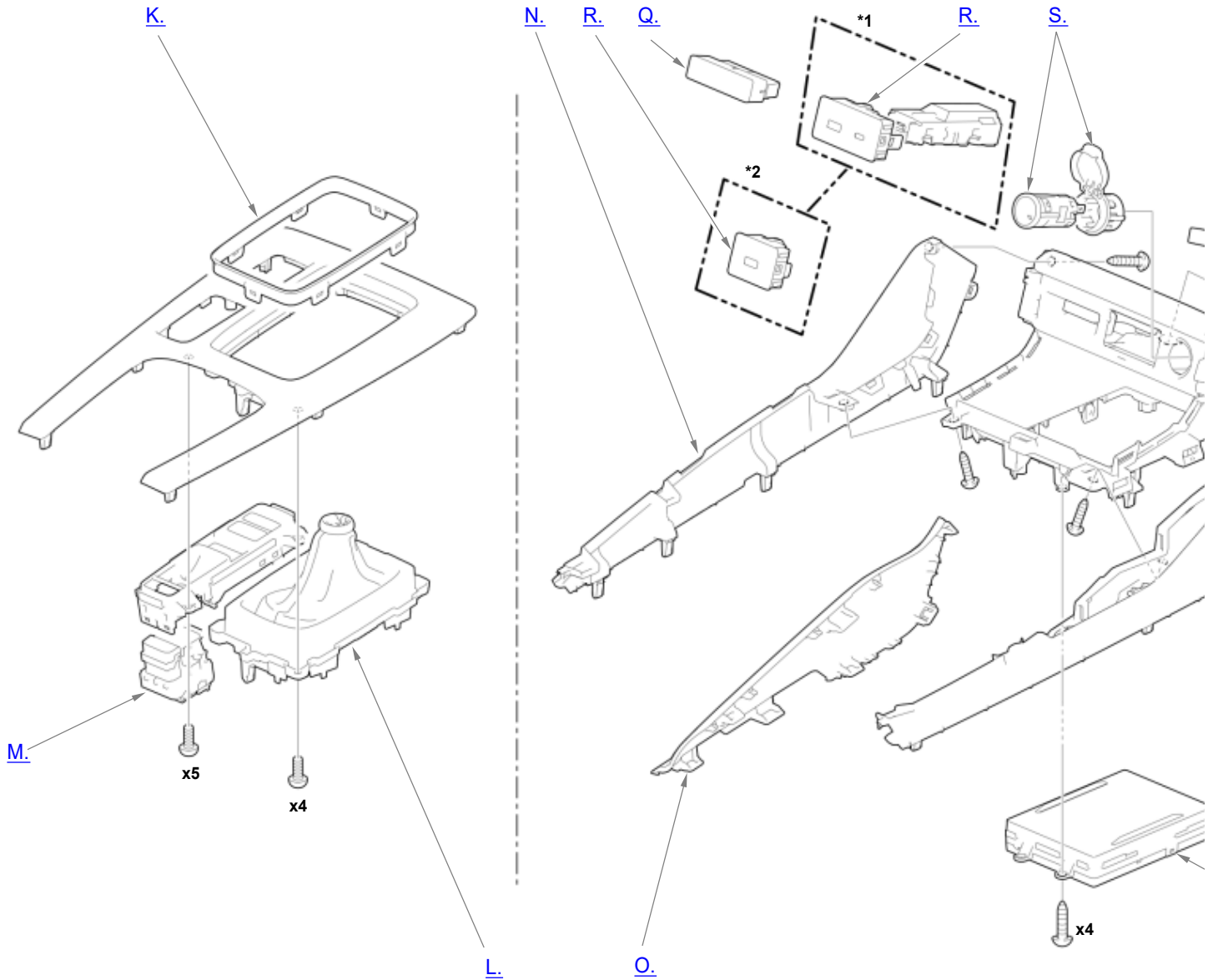


 : Torque, N·m (lbf·ft)	 : Replace	 : Warning/Caution	 : Inspection/Adjustment	 : Learning	 : SPL Tool	 : Required Removal
---	--	--	--	---	---	---

3

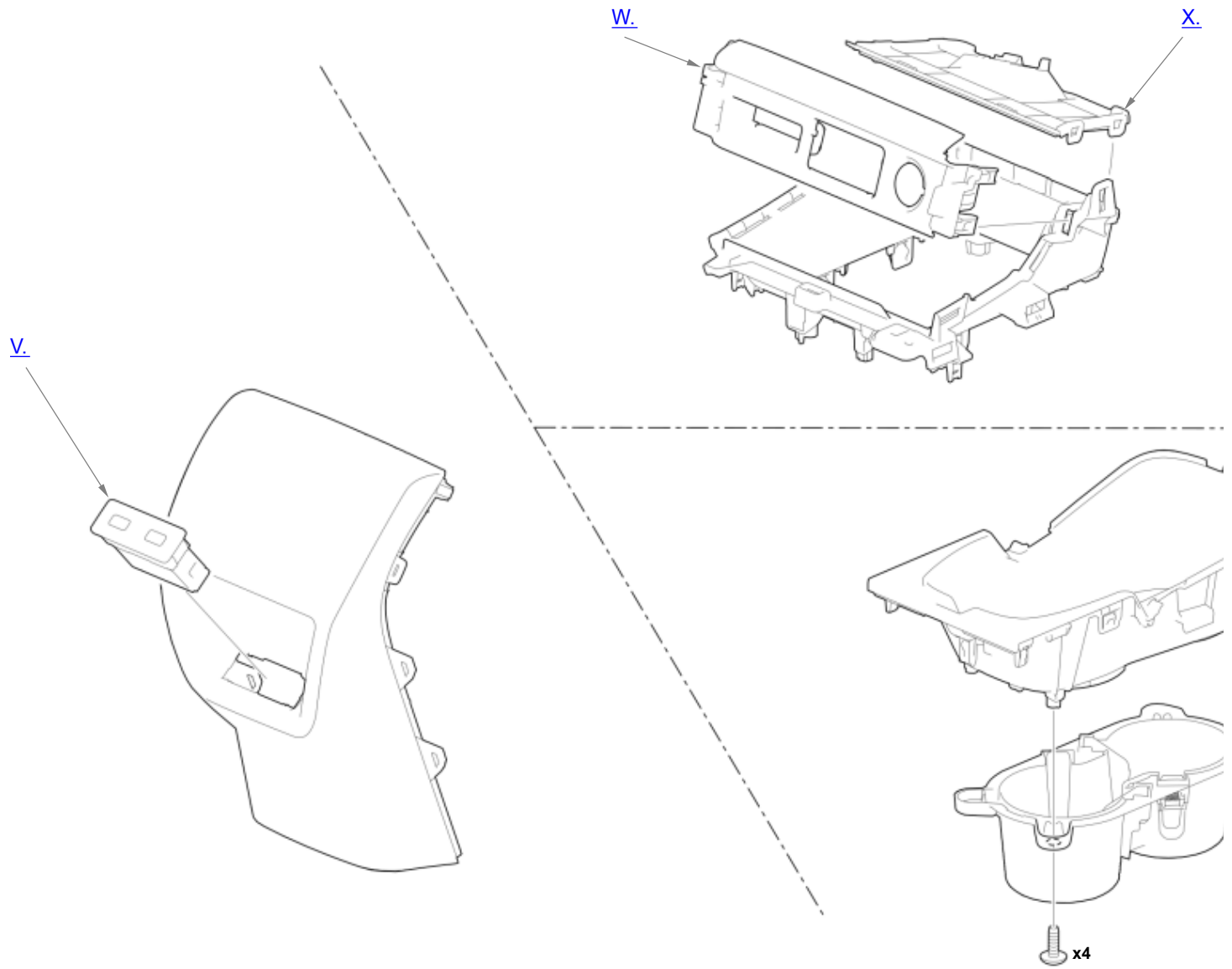









 : Torque, N·m (lbf·ft)	 :	 :	 :	 :	 : SPL	 : Required
	Replace	Warning/Caution	Inspection/Adjustment	Learning	Tool	Removal



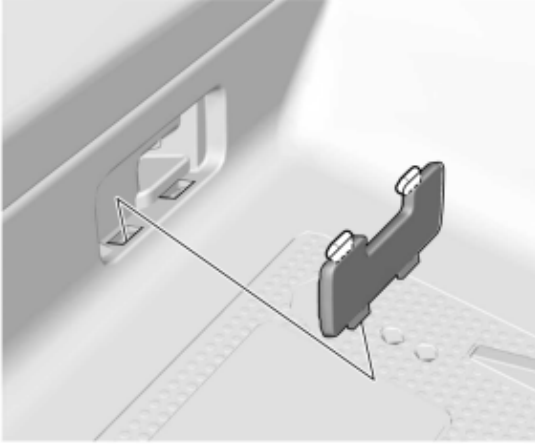
: Torque, N·m (lbf·ft)	:	:	:	:	: SPL Tool	: Required Removal
---------------------------	---	---	---	---	---------------	-----------------------

*1: Display audio type (9-inch screen)
 *2: Color audio type (7-inch screen)
 *3: With wireless charger



 : Torque, N·m (lbf·ft)	 :	 :	 :	 :	 : SPL Tool	 : Required Removal
---	---	---	---	---	---	---

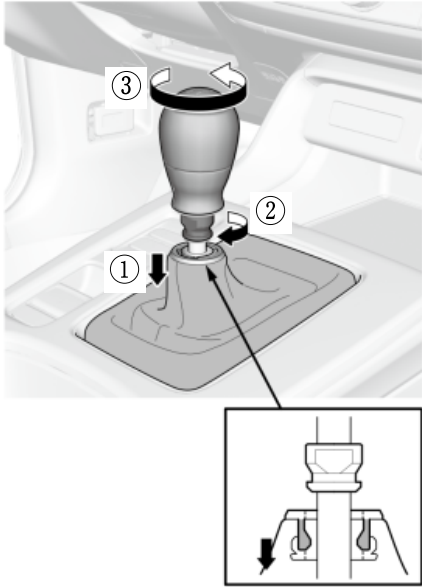
A. -



B. -

■ Sub-Procedure

Figure 1



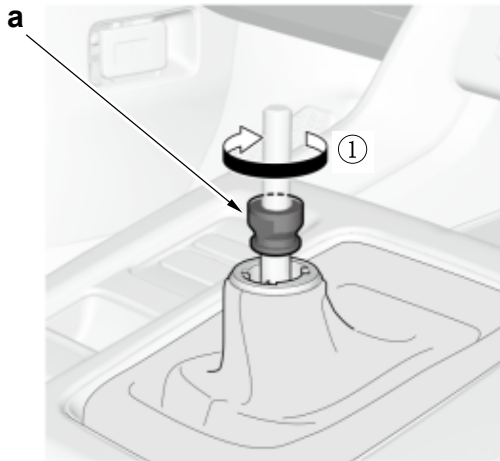
● Removal

- Refer to figure 1 and 2.

Figure 2



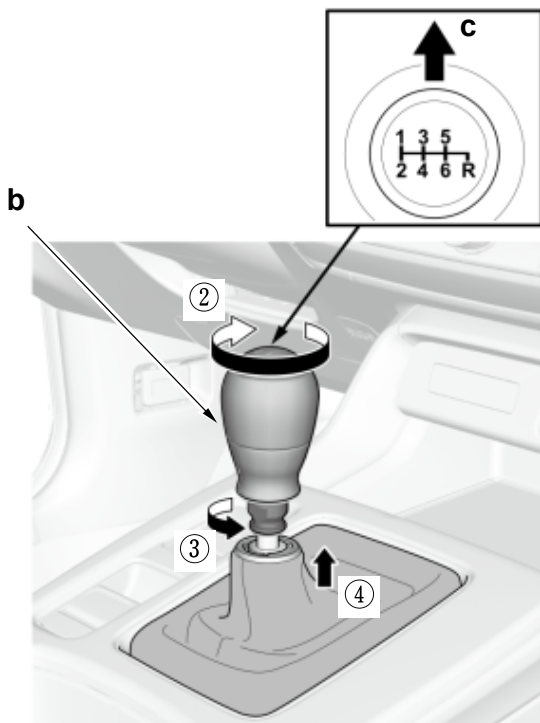
Figure 3



● Installation

1. Install and turn the shift lever boot ring (a) until it reaches the bottom of the threads on the shift lever. (Figure 3)

Figure 4



2. Install and turn the shift lever knob (b) until it contacts the shift lever boot ring. (Figure 4)

Installation Directions (Figure 4)

Position	Direction
c	Front

NOTE: Make sure the shift lever knob is installed in the correct direction.

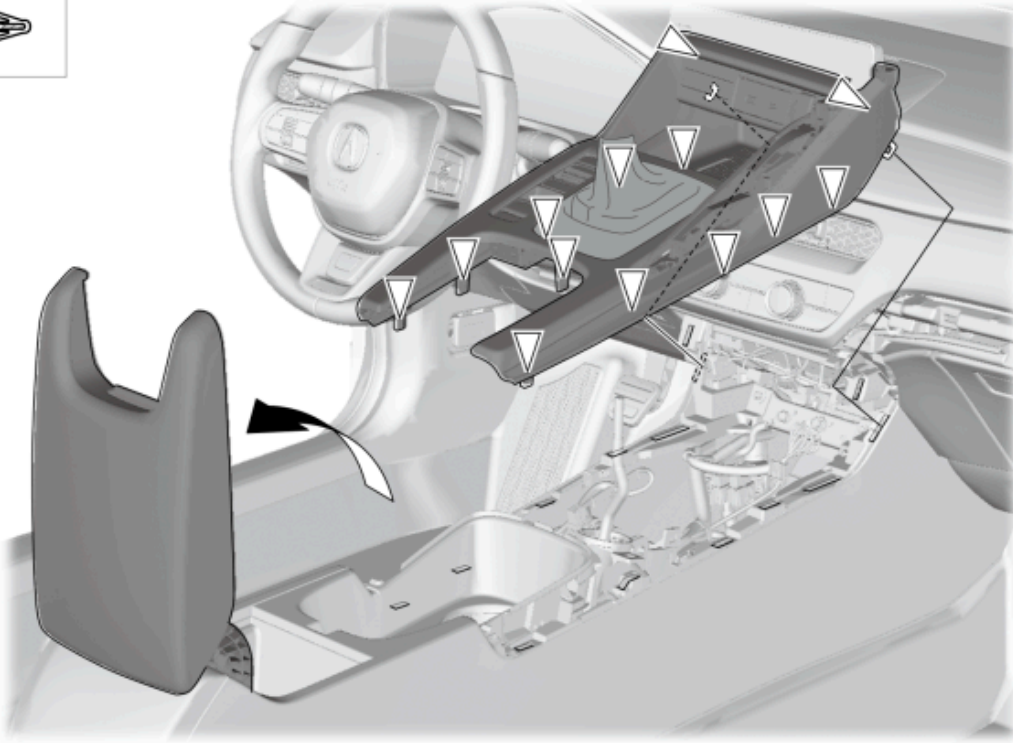
3. Tighten the shift lever boot ring counterclockwise with the shift pattern on the shift lever knob properly aligned. (Figure 4)

C. -

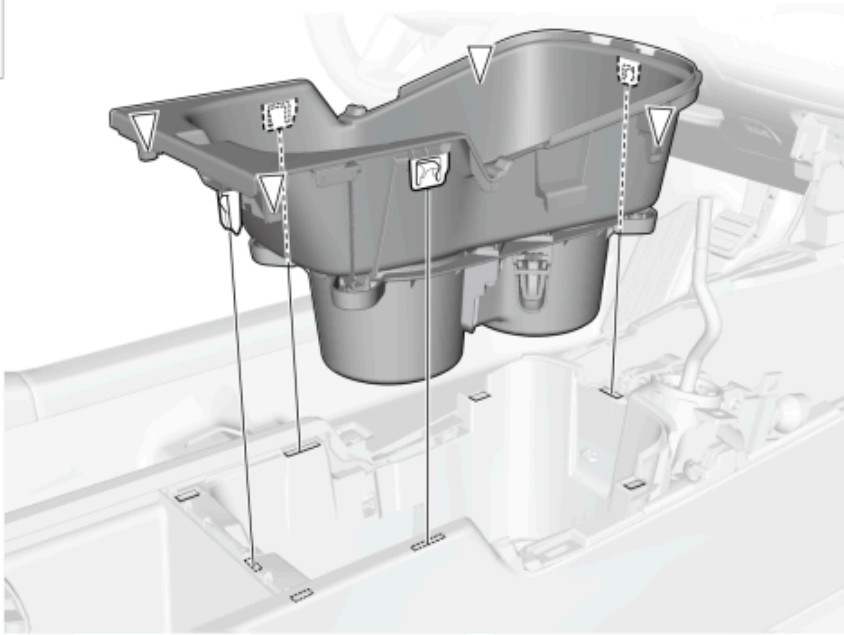
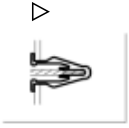
■ Sub-Procedure

● Removal

- Refer to the figure.



D. -

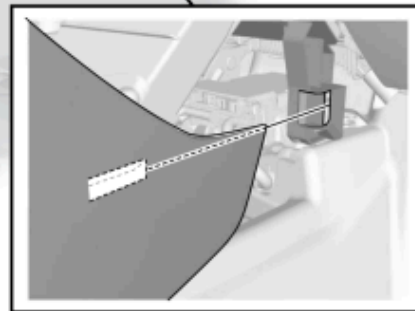
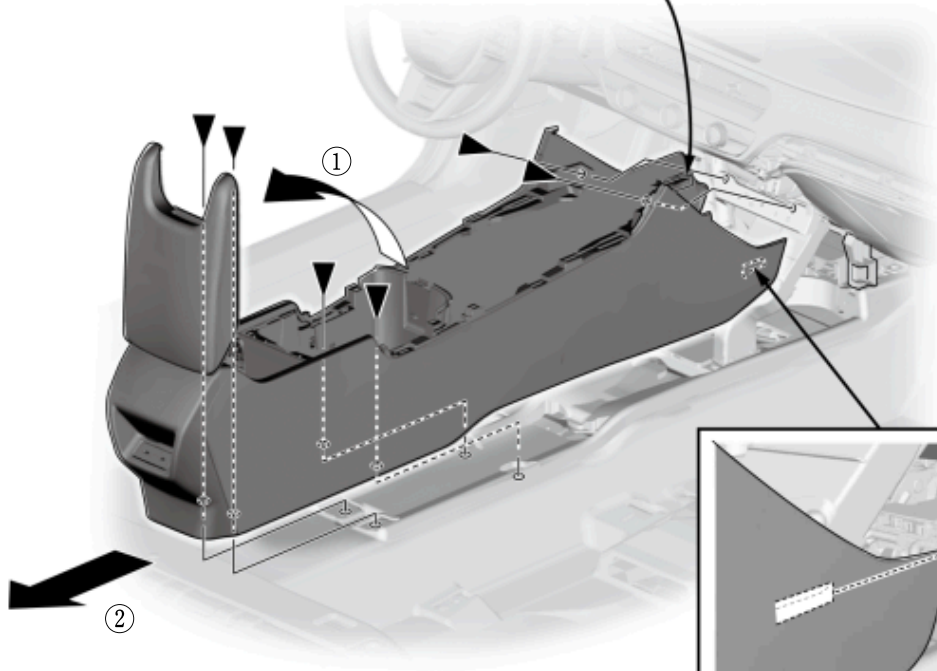
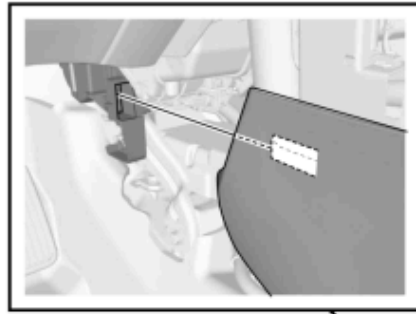


E. -

■ Sub-Procedure

● Removal

- Refer to the figure.



F. -

H. -

■ Sub-Procedure

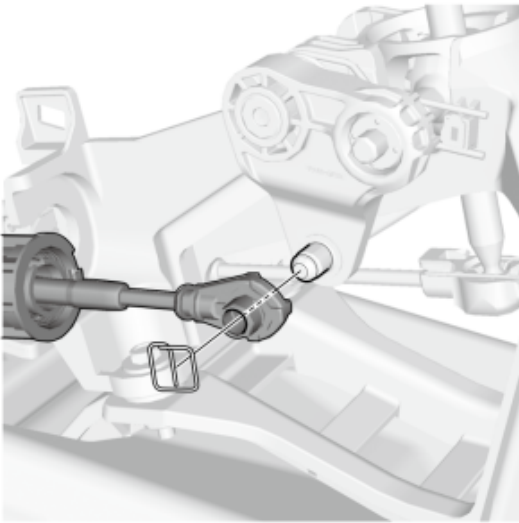
NOTICE

- Do not bend the shift cable excessively.

● Removal

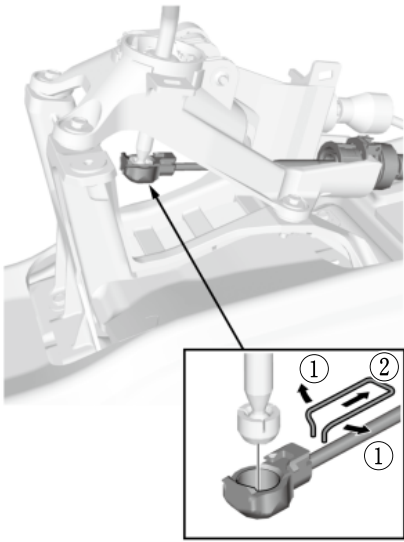
1. Refer to figure 1.

Figure 1



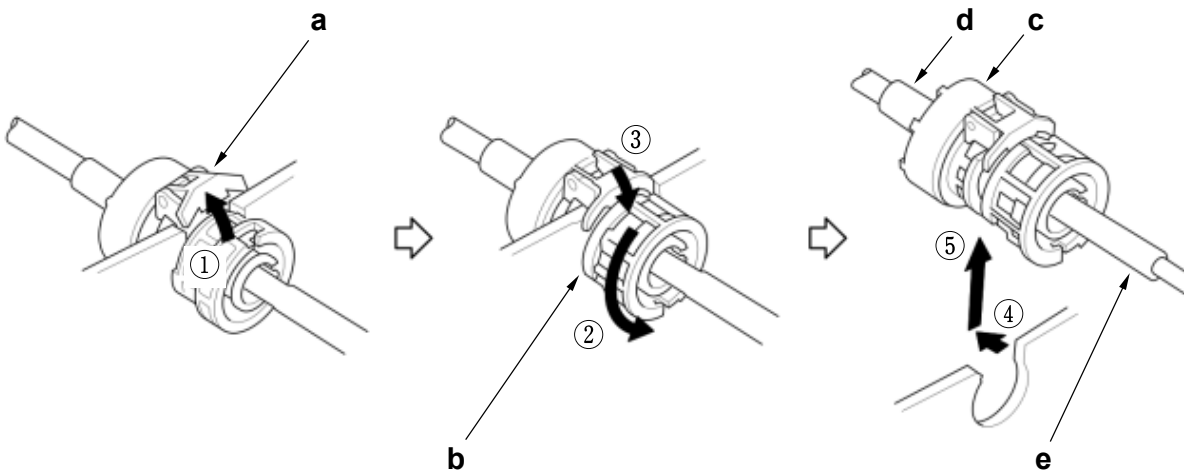
2. Refer to figure 2.

Figure 2



3. Unlock the retainer lock (a). (Figure 3)

Figure 3



4. Rotate the socket holder retainer (b) counterclockwise until it stops, and push the retainer lock into the socket holder retainer to lock the retainer. (Figure 3)

5. Slide the socket holder (c) and the change wire (d) out of the shift lever housing. (Figure 3)

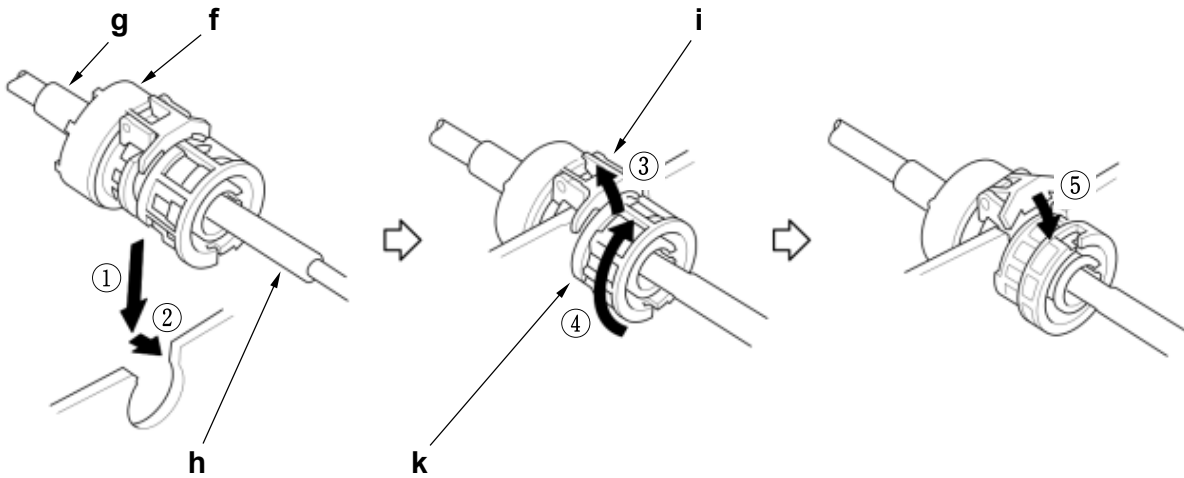
NOTE: Do not remove the change wire by pulling the change wire guide (e). (Figure 3)

● Installation

1. Align the socket holder (f) on the change wire (g) with the slot in the shift lever housing. (Figure 4)

NOTE: Do not install the change wire by holding the change wire guide (h). (Figure 4)

Figure 4



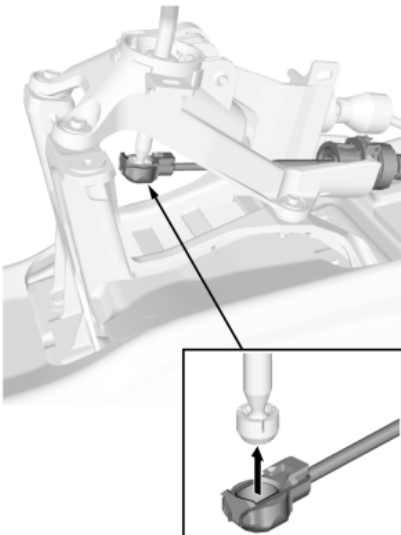
2. Slide the socket holder and the change wire into the shift lever housing. (Figure 4)

3. Unlock the retainer lock (i). (Figure 4)

4. Rotate the socket holder retainer (k) clockwise until it stops, and push the retainer lock into the socket holder retainer to lock the retainer. (Figure 4)

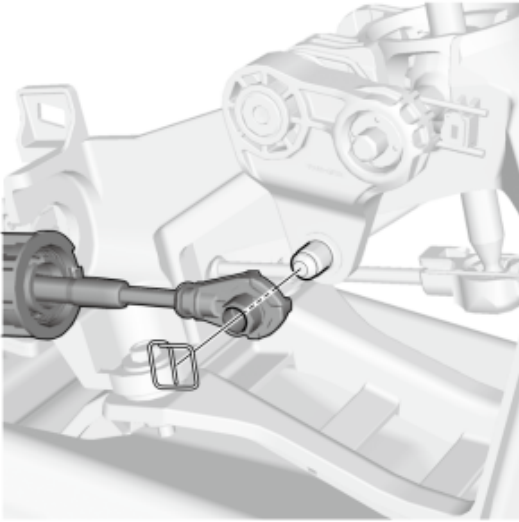
5. Refer to figure 5.

Figure 5

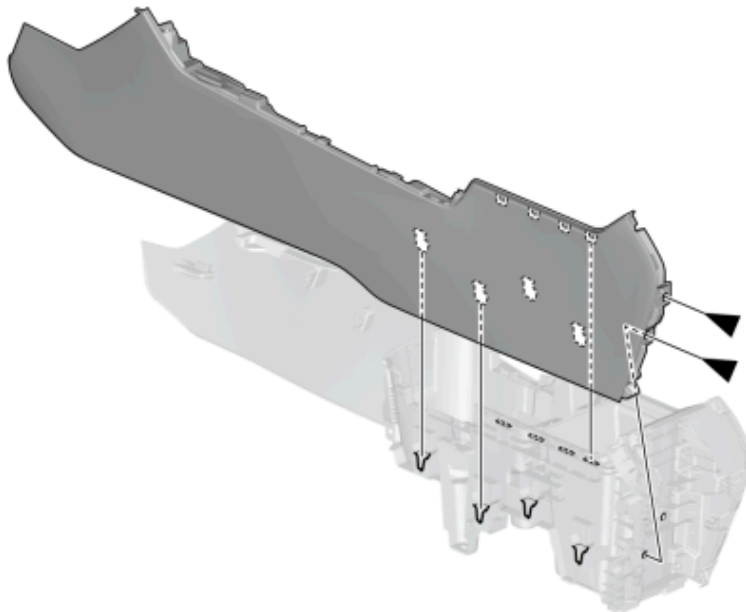
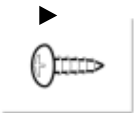


6. Refer to figure 6.

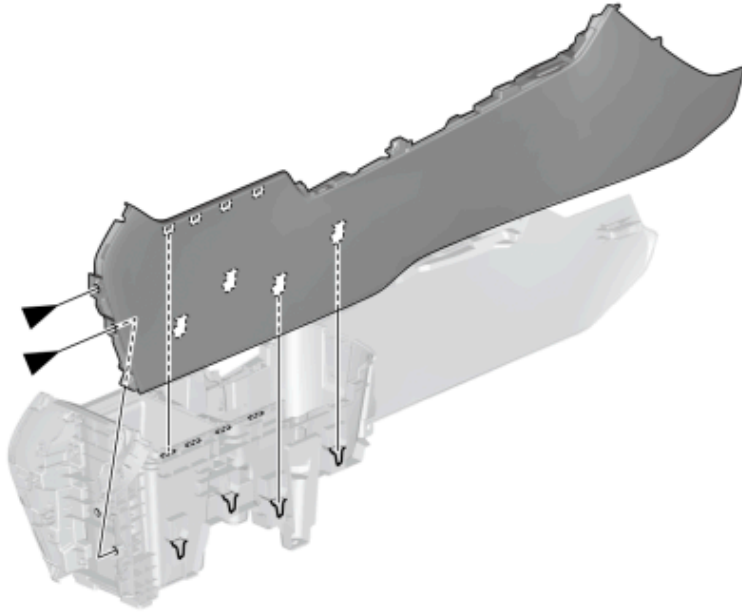
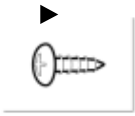
Figure 6



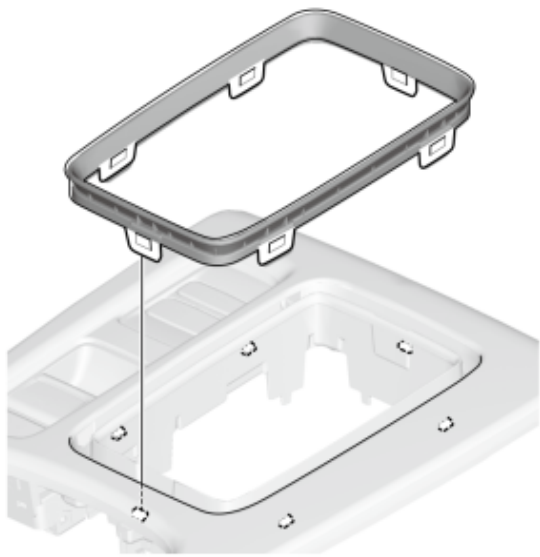
I. -



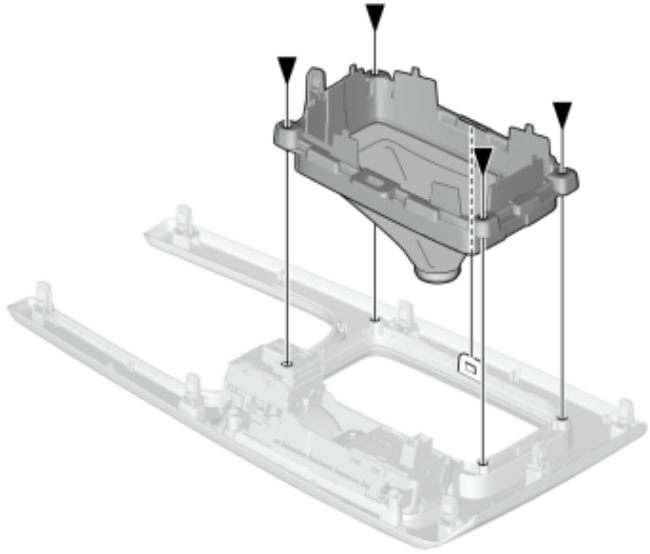
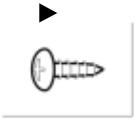
J. -



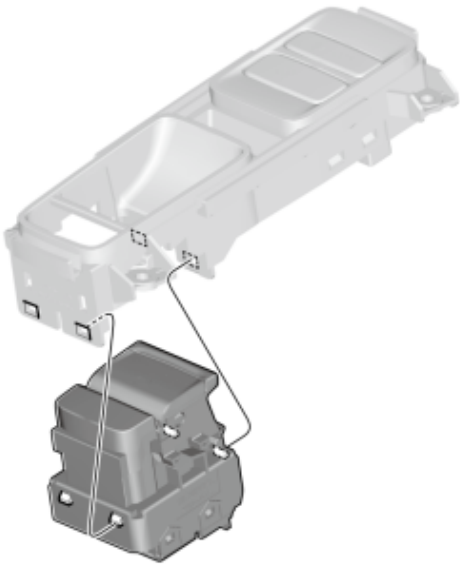
K. -



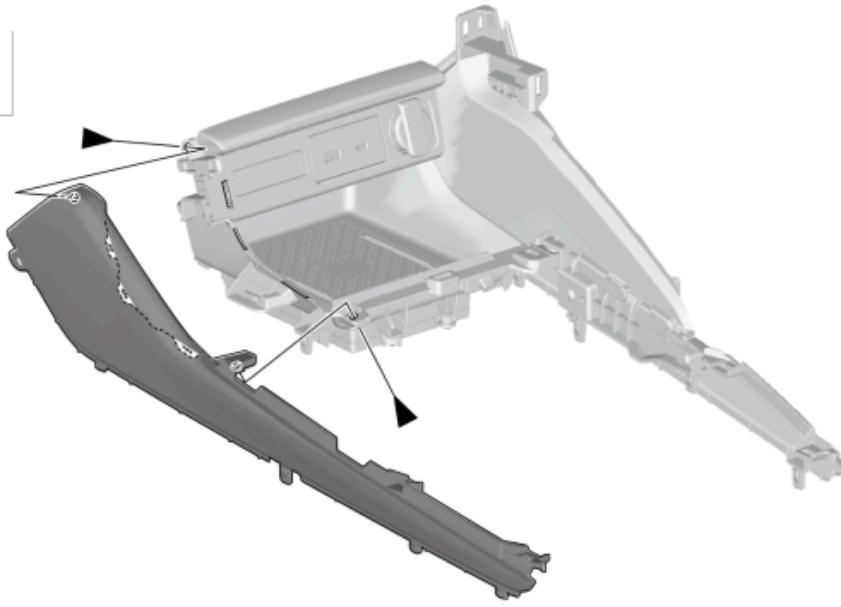
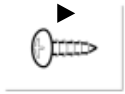
L. -



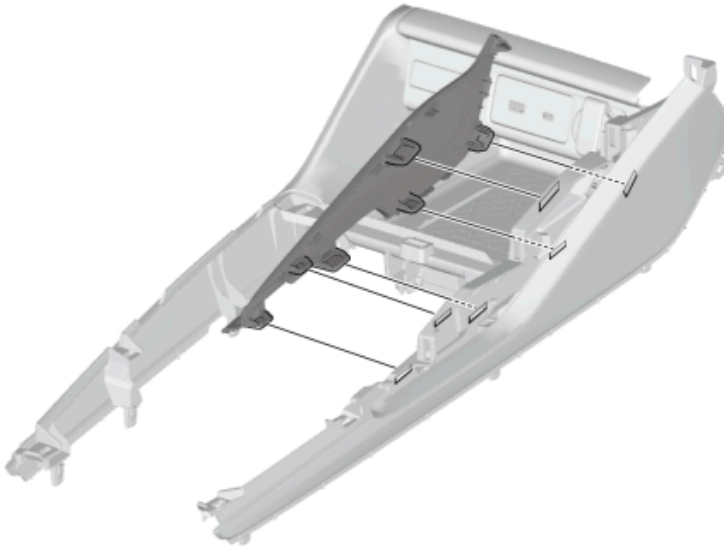
M.-



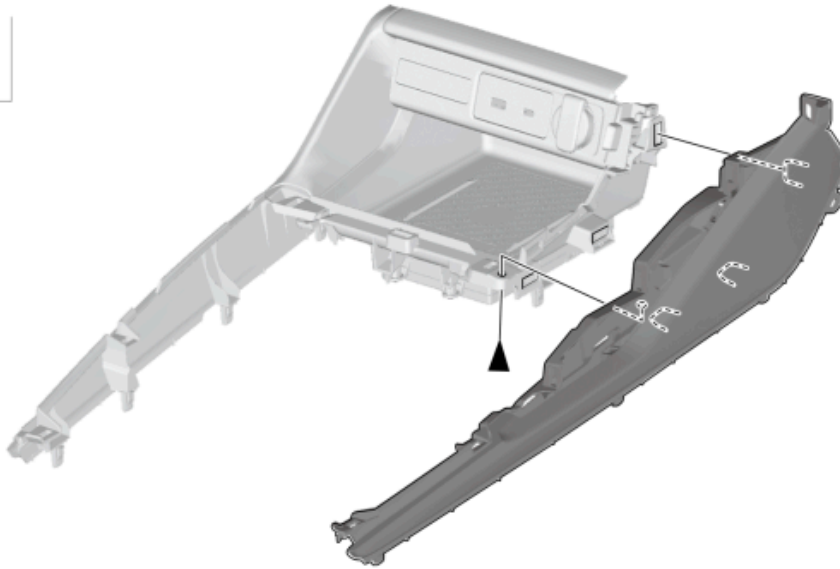
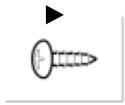
N.-



O. -



P. -

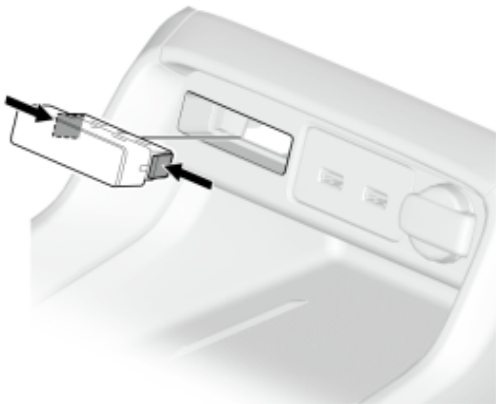


Q. -

■ Sub-Procedure

● Removal

- Refer to the figure.

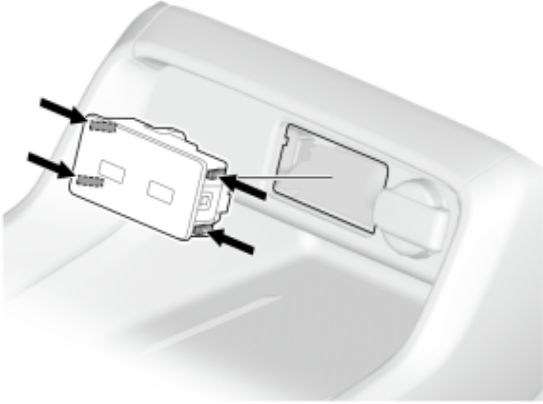


R. -

■ Sub-Procedure

● Removal

- Refer to the figure.

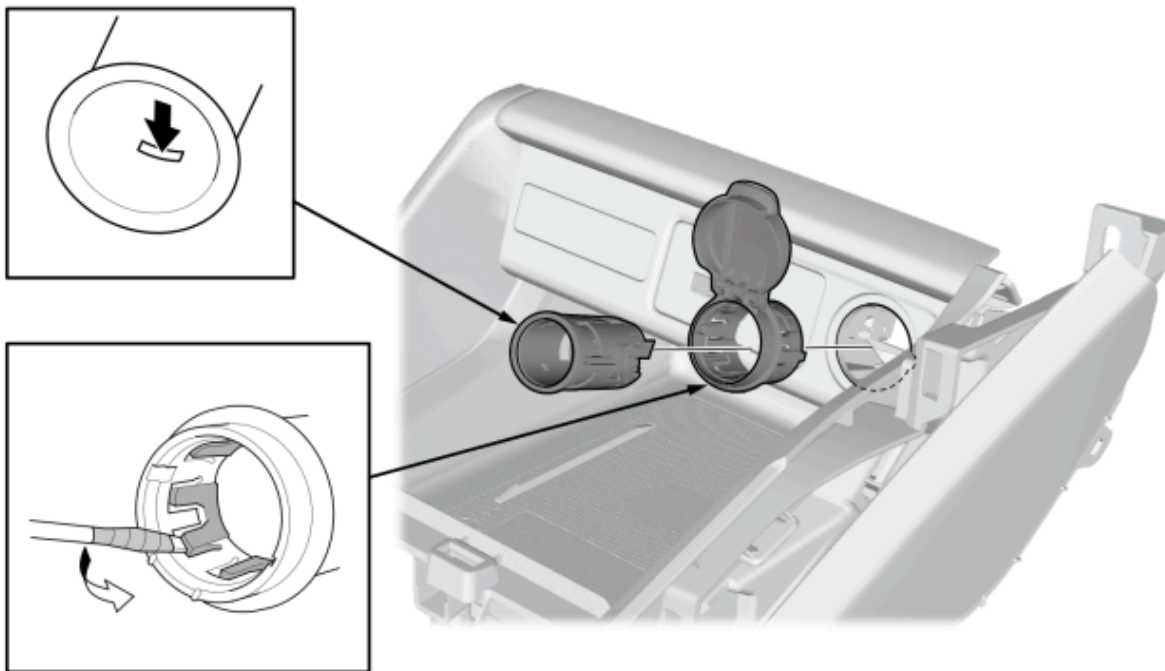


S. -

■ Sub-Procedure

● Removal

- Refer to the figure.

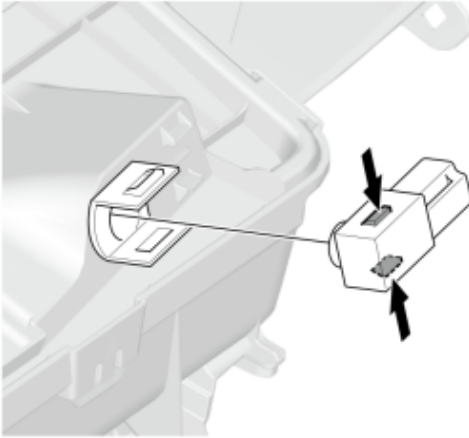


T. -

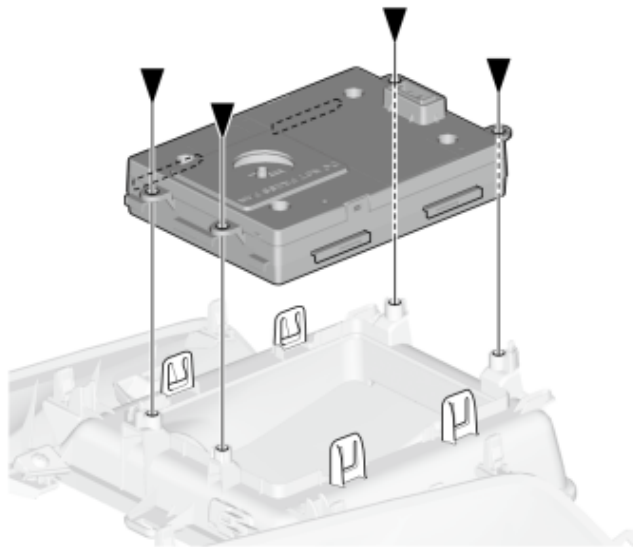
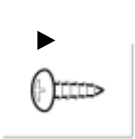
■ Sub-Procedure

● Removal

- Refer to the figure.



U. -

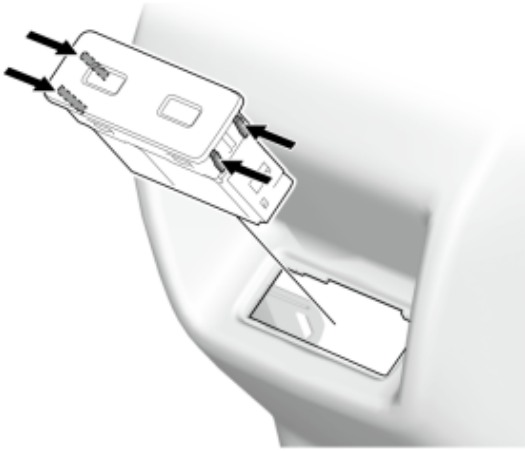


V. -

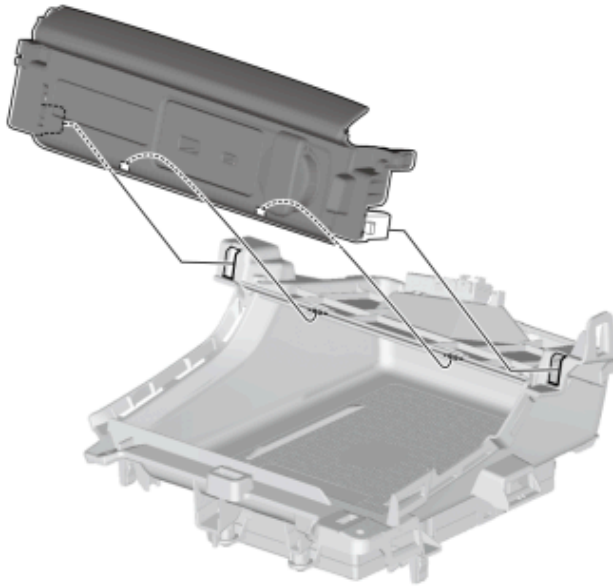
■ Sub-Procedure

● Removal

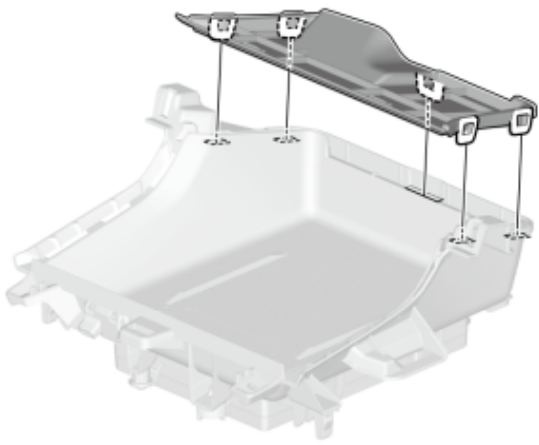
- Refer to the figure.



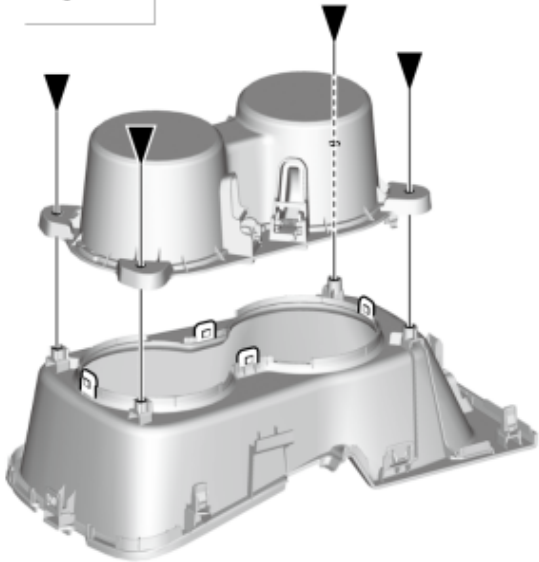
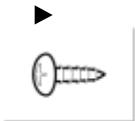
W.-



X.-

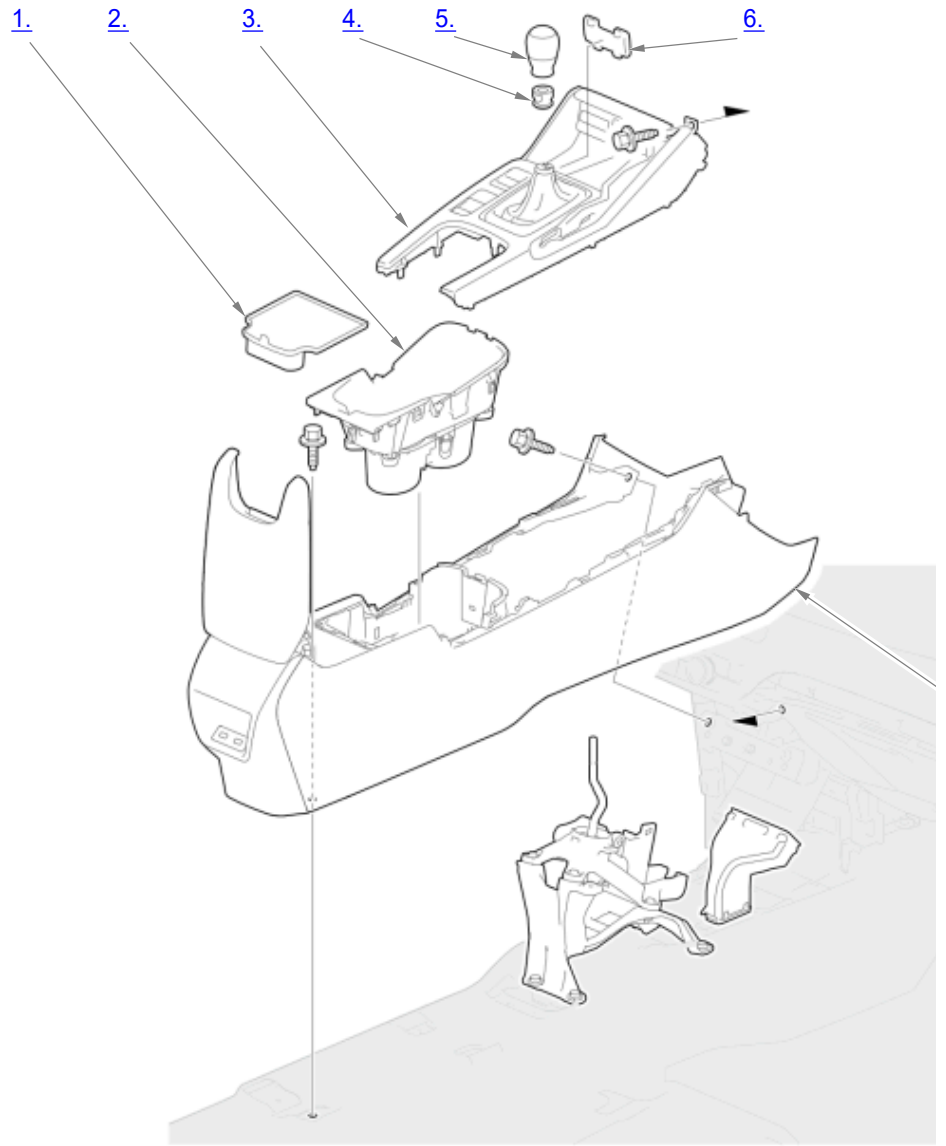
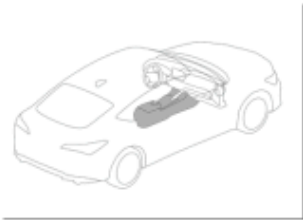


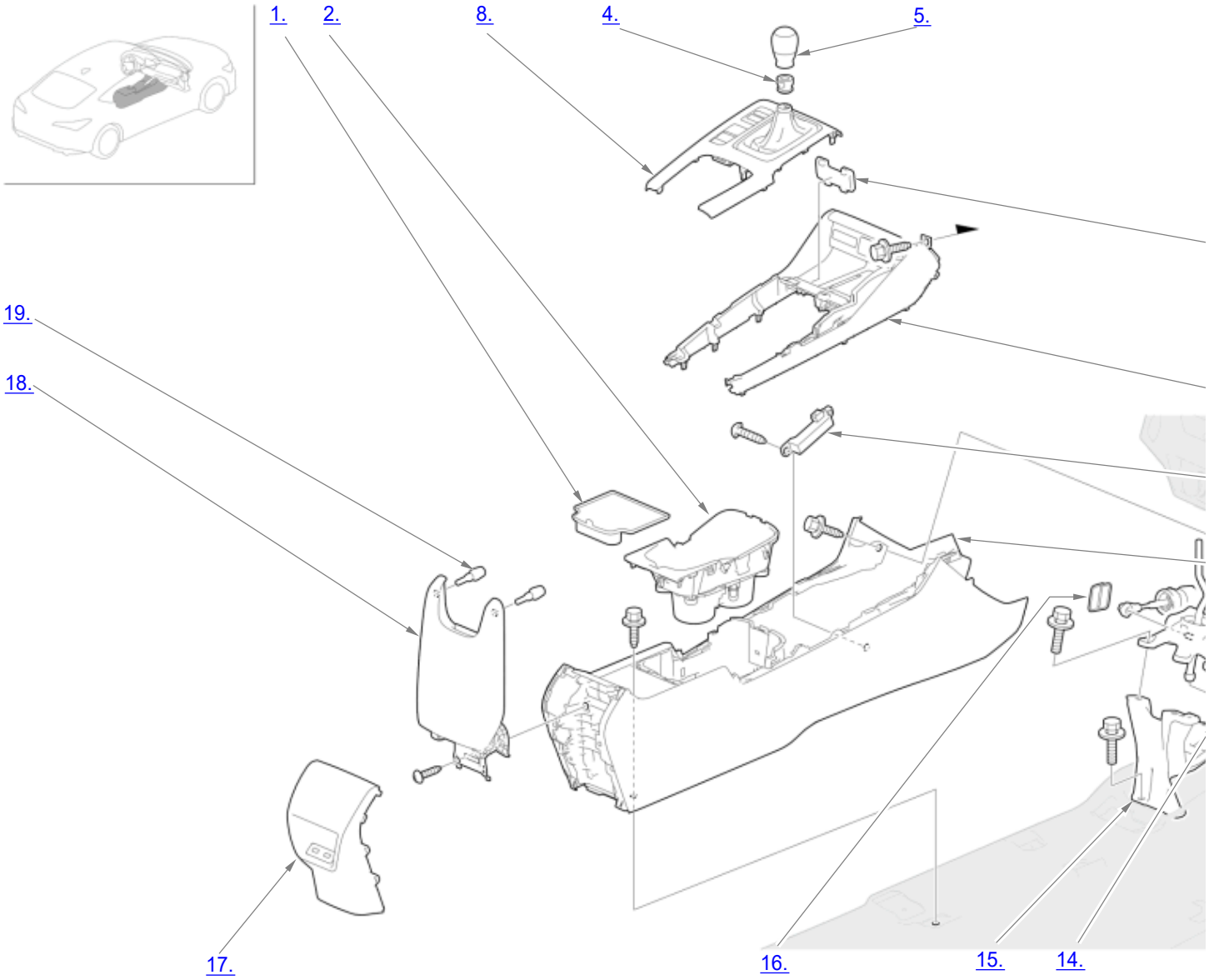
Y. -

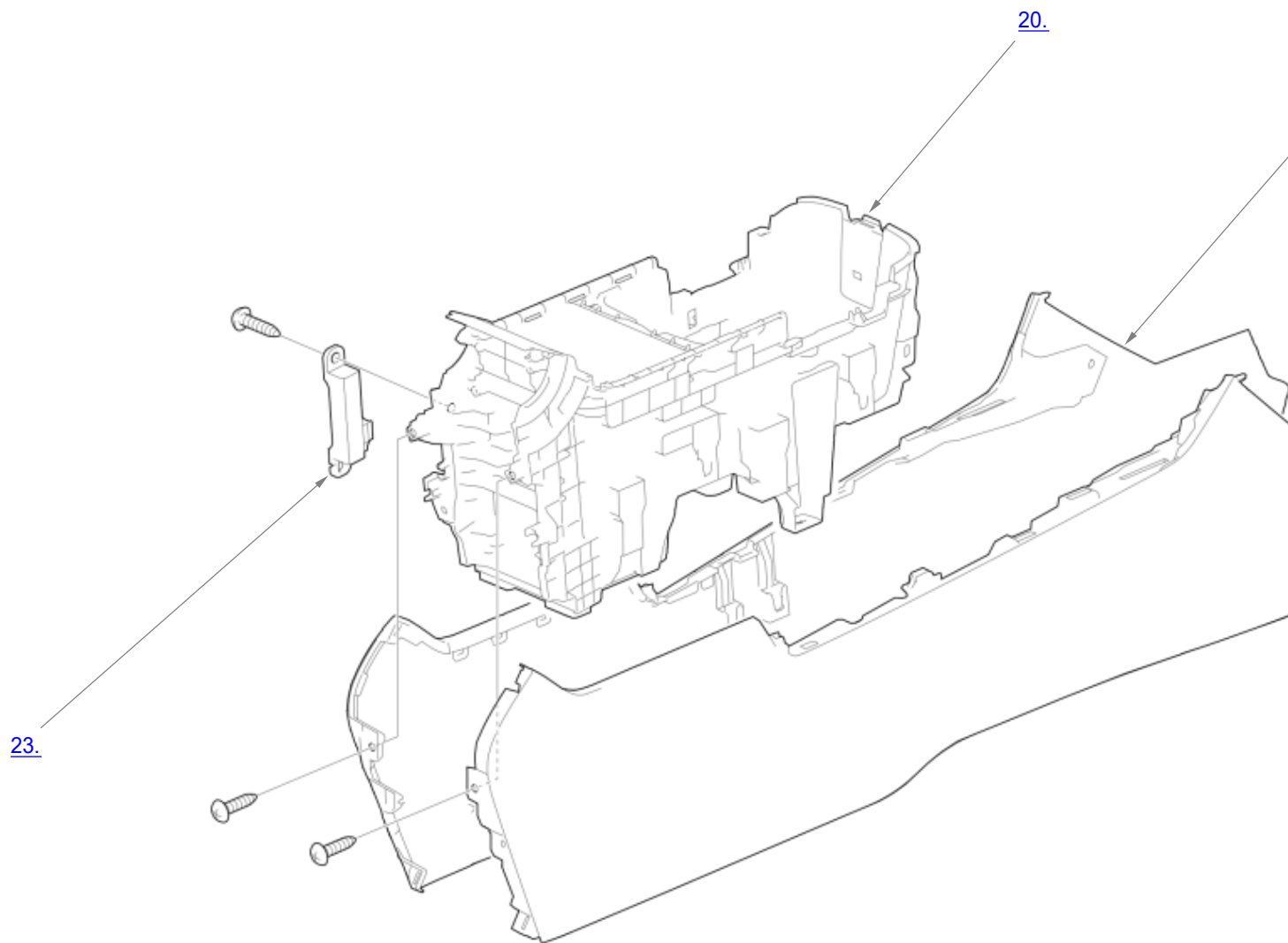


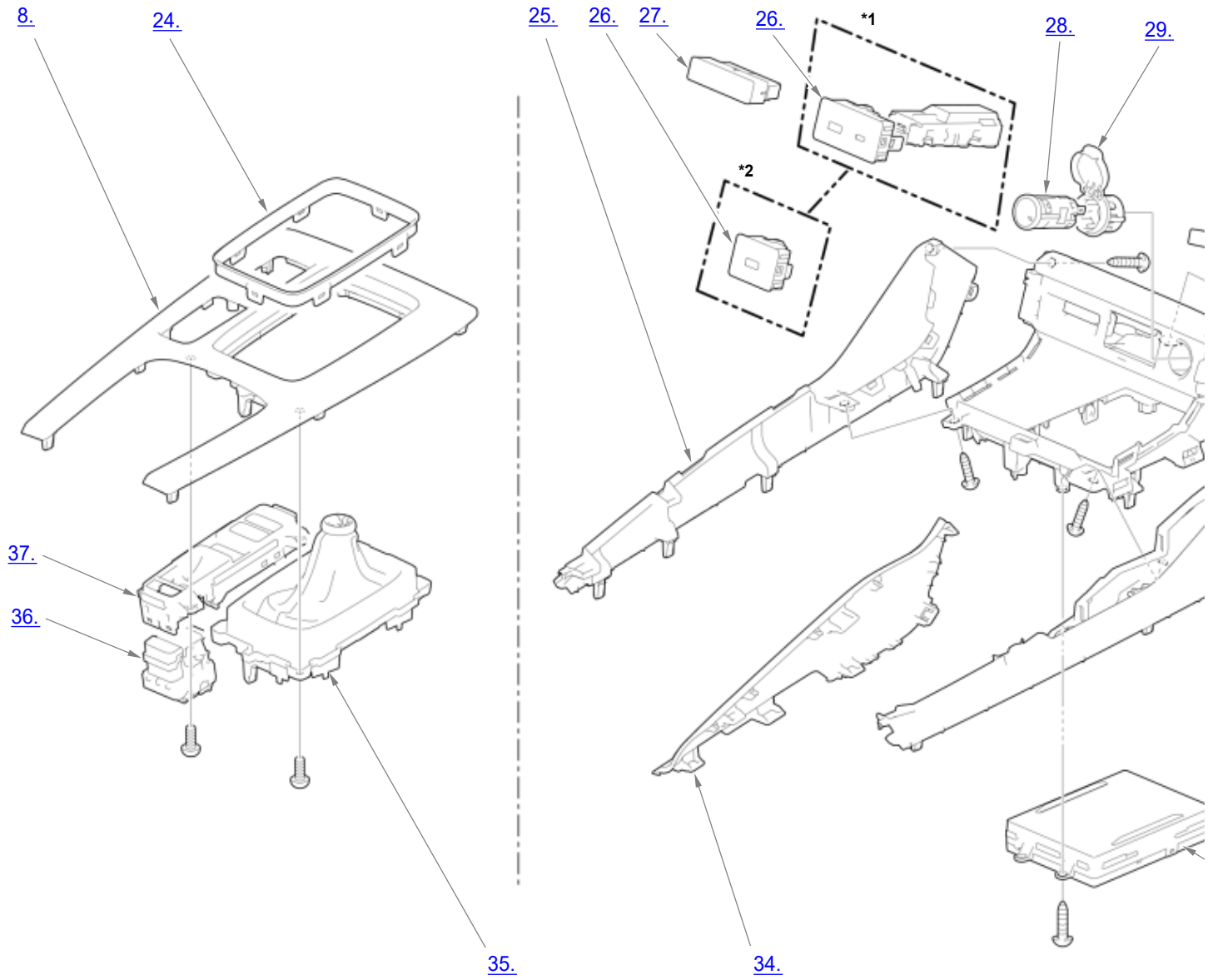
1

Center Console Assembly Removal

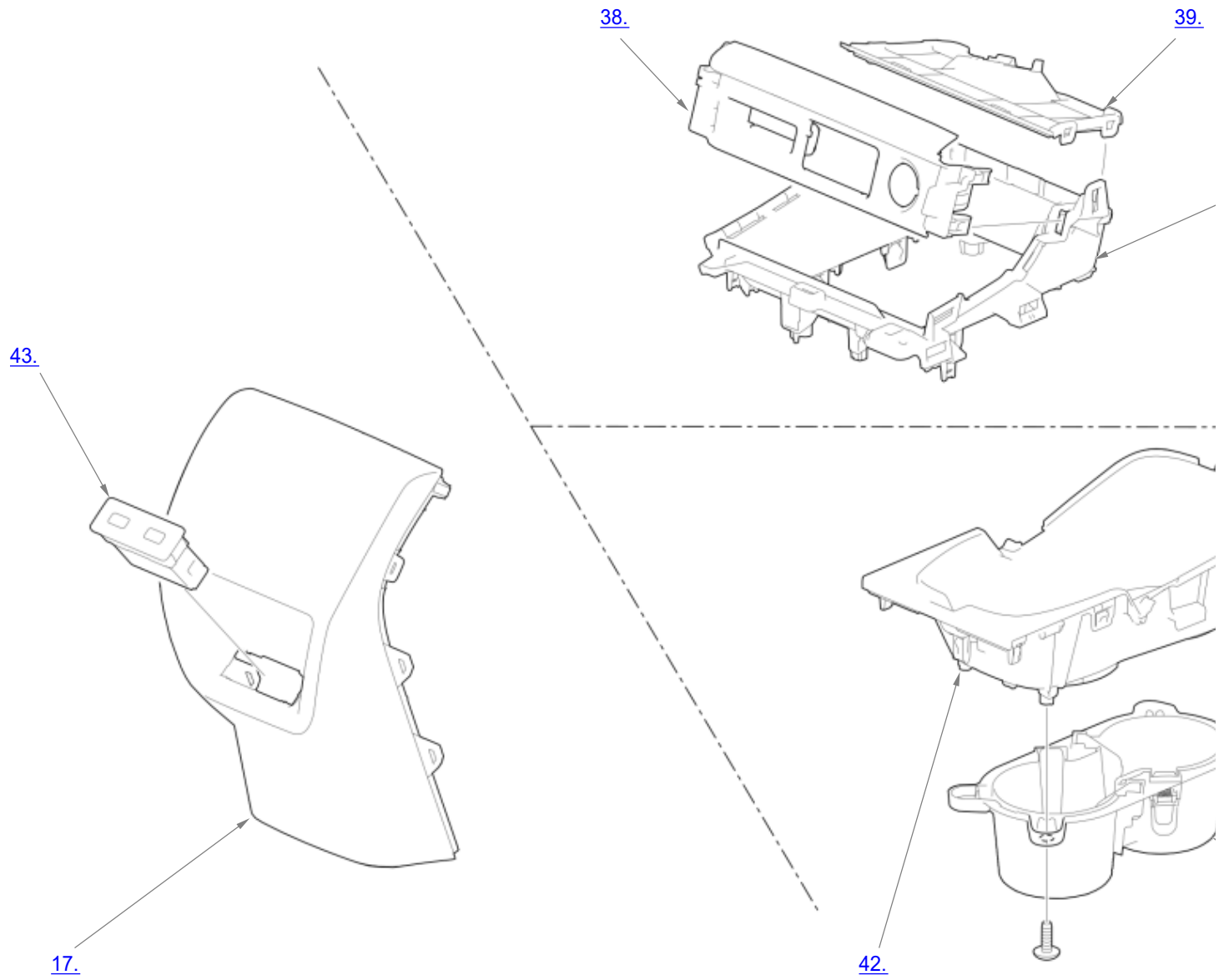








*1: Display audio type (9-inch screen)
 *2: Color audio type (7-inch screen)



1. Center Console Box Mat

2. Cup Holder Assembly

3. Center Console Panel Assembly

4. Shift Lever Boot Ring

5. Shift Lever Knob

6. Shift Lock Release Lid

7. Center Console

8. Center Console Panel

9. Center Console Tray Assembly

10. Front Interior LF Antenna

11. Change Wire (Shift Lever Side)

12. Shift Lever Housing

13. Rear Heater Joint Duct

14. Clamp

15. Shift Lever Housing Bracket

16. Clip Spring

17. Center Console Rear Trim

18.Center Console Armrest

19.Center Console Armrest Stopper

20.Center Console Box

21.Driver's Center Console Side Panel

22.Passenger's Center Console Side Panel

23.Rear Interior LF Antenna

24.Shift Ring

25.Driver's Center Console Side Trim

26.USB Holder

27.Front Passenger's Airbag Cut OFF Indicator

28.Center Console Accessory Power Socket

29.Housing

30.Center Console Light

31.Center Console Tray

32.Passenger's Center Console Side Trim

33.Wireless Charger

34.Passenger's Console Cover

35.Shift Lever Boot

36.Electric Parking Brake Switch/Automatic Brake Hold Switch

37.Idle Stop OFF Switch/ECON Switch

38.Jack Panel

39.Center Console Upper Tray

40.Center Console Lower Tray

41.Cup Holder

42.Cup Holder Trim

43.USB Charger Unit (Rear Console)