



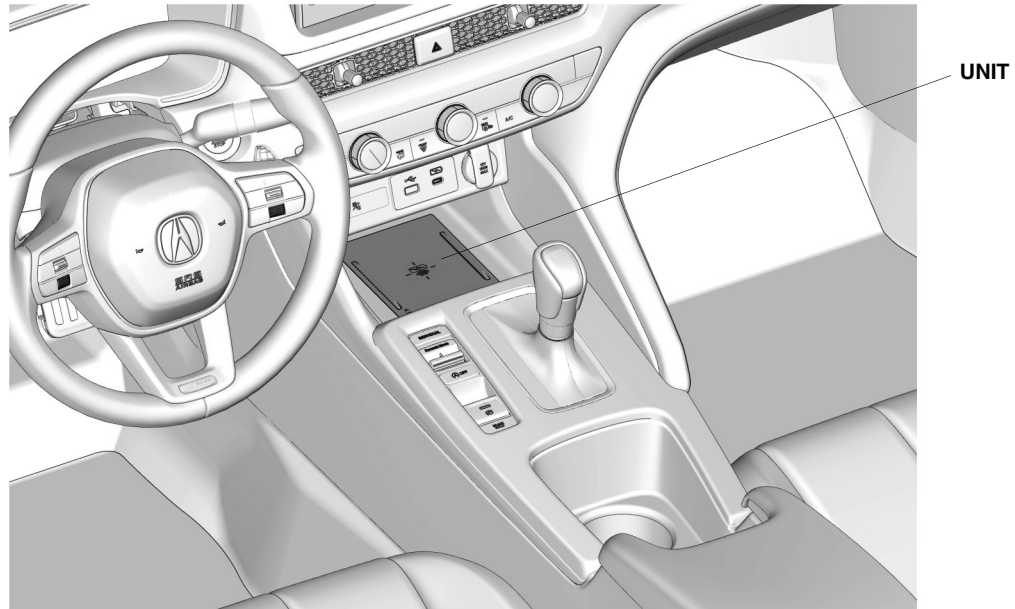
INSTALLATION INSTRUCTIONS

Accessory
WIRELESS CHARGER

Application
**2023 INTEGRA
MODEL SERIES**

Publications No.
VERSION 1
Issue Date
MAY 2022

GENERAL VIEW



QLN0801BJ

FOR YOUR SAFETY (Read carefully.)

Warning Symbols

Safety: Your safety, and the safety of others, is important. To help you make informed decisions about service procedures, we have provided safety messages where appropriate. Of course, it is not practical or possible to warn you about all the hazards associated with servicing a vehicle - you must use your own good judgment.

You will find important safety messages preceded by one of following symbols:

*All symbols are not used in all installation instructions.

⚠ DANGER

You will be killed or seriously hurt if you do not follow the instructions.

⚠ WARNING

You can be killed or seriously hurt if you do not follow the instructions.

⚠ CAUTION

You can be hurt if you do not follow the instructions.

NOTICE

Gives advice to prevent damage to the product, vehicle, the environment or other property.

NOTE

Gives helpful information or instructions to be followed when installing this product.

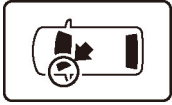


Indicates a prohibited action.

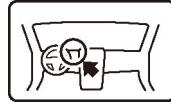
Procedure and Location Icons

These icons indicate the work location and the worker's point of view.

*All icons are not used in all installation instructions.



The location on the vehicle.



The location in the vehicle.
(instrument panel.)



Wear eye protection.



Wear heavy gloves.



Use an assistant.



Place the part on a blanket.



Work perpendicular.



Remove any burrs.



Use touch-up paint and allow to dry.



Tighten to the specified torque.



Apply firm pressure while rolling, especially at the ends, to set the adhesive.



Press firmly.

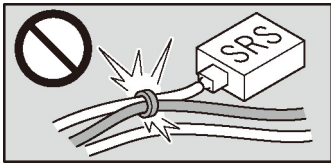


Clean with isopropyl alcohol.

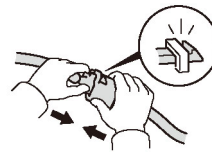


Return the original part to the client.
(Do not reuse.)

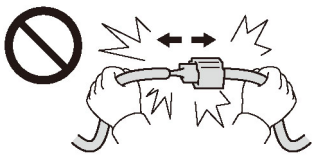
Wire Harness Routing Precaution



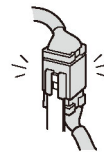
Do not secure the accessory harness to the SRS harness.
(except for instruction cases.)



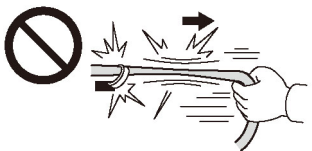
Push the connectors and terminals together until they lock.



Do not pull the harness to unplug the connectors.



Install removed connectors in their original location.



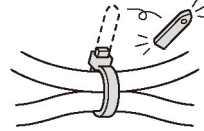
Do not pull the harness.



Secure the accessory harness as shown.



Do not pinch the harness.



Cut off the excess wire tie.

Safety: General

- Observe all safety notes and precautions described in the service information, in addition to those described in this Installation Instruction. Be extremely careful for your safety and the safety of others.
- Be careful not to damage the vehicle or the parts.
- Be extremely careful when handling retaining tabs and clips.
- Note the locations of the parts before removing them so they can be properly installed in their original positions.
- The illustrations may differ slightly from the actual accessory.

Safety: Electric Parts

Always disconnect the negative cable from the battery before beginning work.

Safety: Accessory

Always use the parts and tools specified in the installation instructions.

PARTS LIST

Wireless Charger Kit (P/N 08U58-3S5-200)

Unit	Lower tray	Self-tapping screws (4)

REQUIRED TOOLS AND SUPPLIES

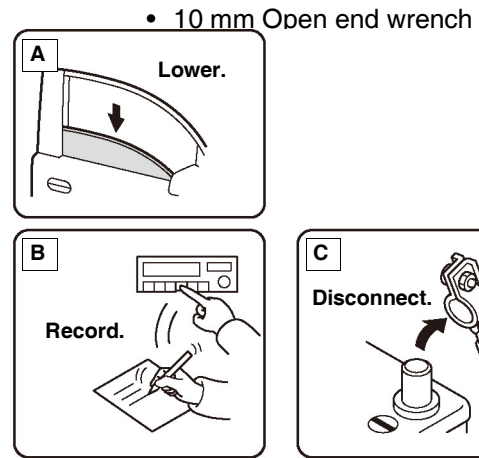
- Ratchet
- Masking tape
- 10 mm Socket
- Phillips screwdriver

The following tools are available through the Acura Tool and Equipment Program:

- Trim Tool Set (T/N SOJATP2014)
- Plastic Trim Tool (T/N SILTRIMTL10)

INSTALLATION

1. Disconnect the negative cable from the battery.

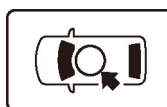


QCD0502BM

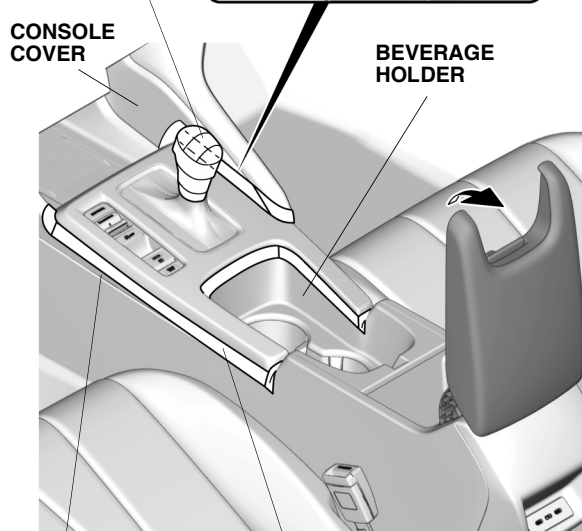
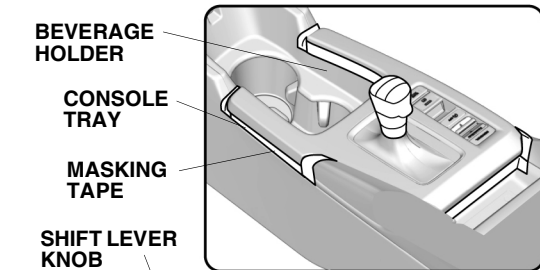
2. Attach the masking tape to protect the vehicle.

NOTE

Do not remove the masking tape until after the parts are installed.



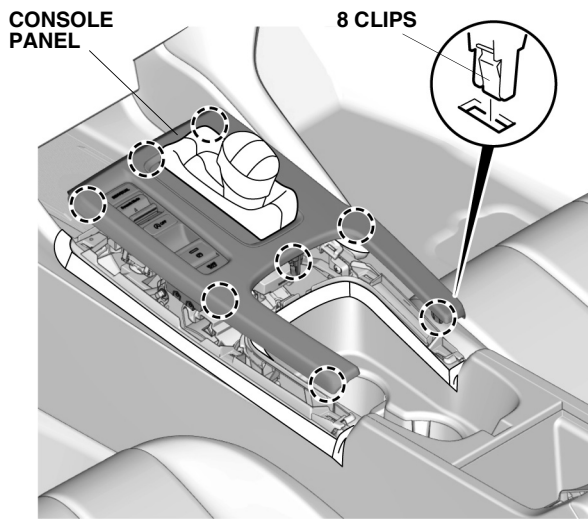
OPPOSITE SIDE VIEW



CONSOLE TRAY MASKING TAPE

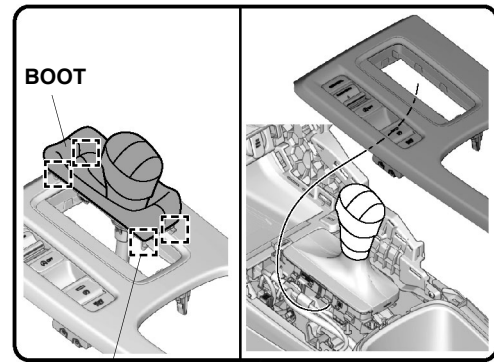
QL50612AU

3. Release the console panel.

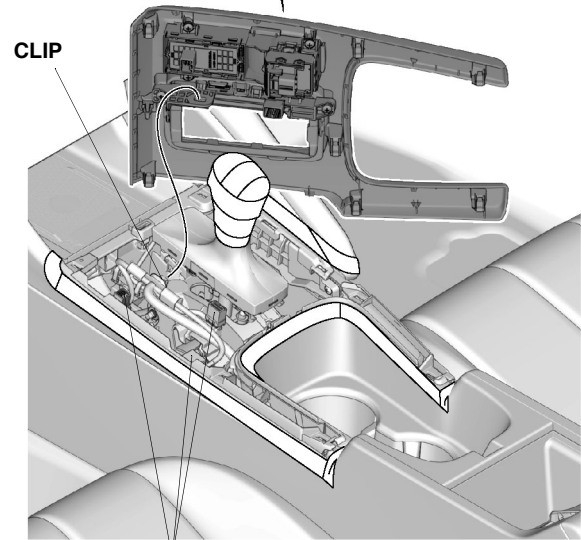


QL50613AU

4. Remove the console panel.

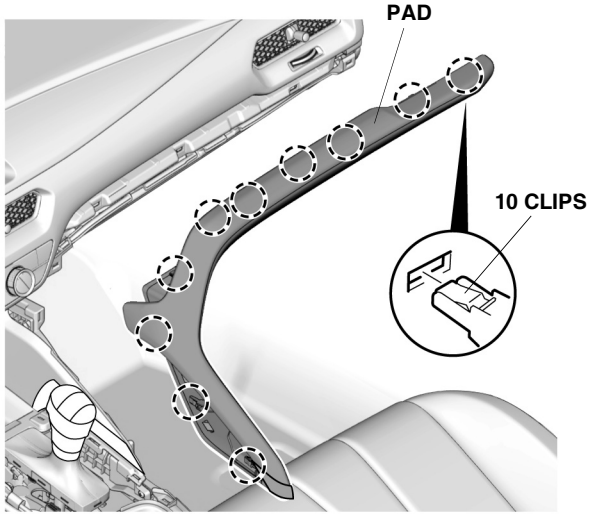


4 RETAINING TABS



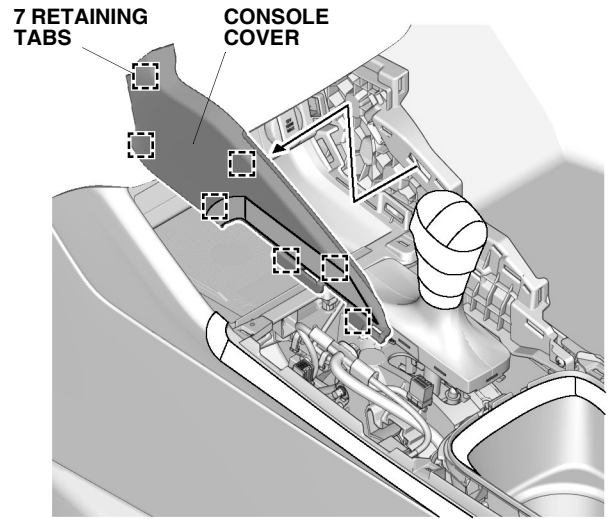
QL50614BU

5. Remove the pad.



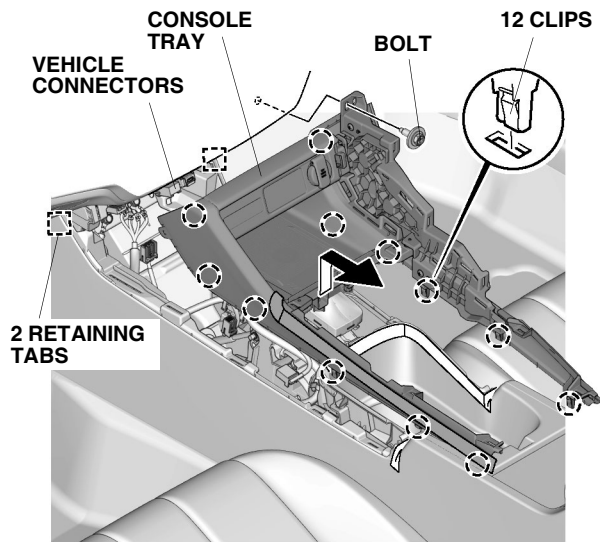
QL50615AU

6. Remove the console cover.



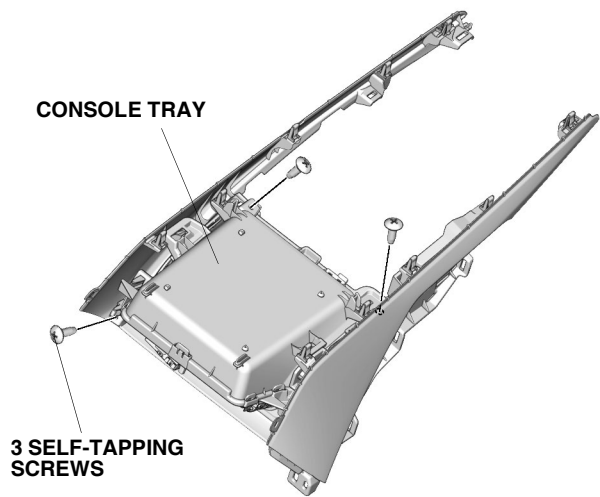
QL50616BU

7. Remove the console tray.



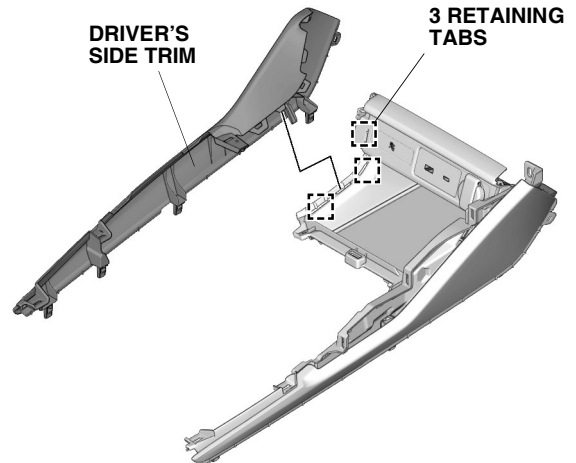
QL60112BU

8. Remove the self-tapping screws.



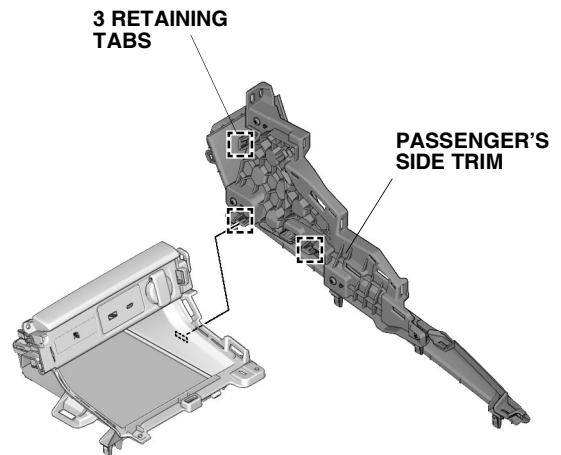
QM20401AT

9. Remove the driver's side trim.



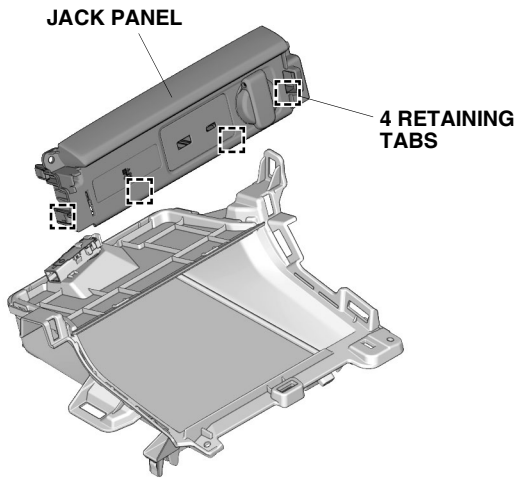
QM20402AT

10. Remove the passenger's side trim.



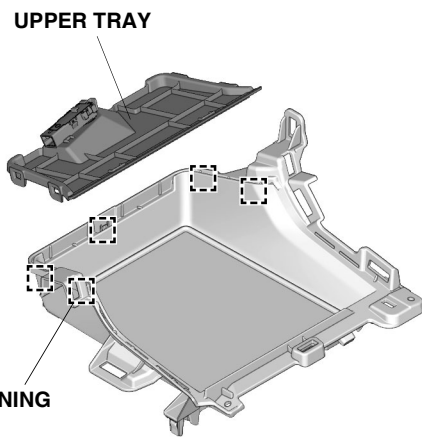
QM20403AT

11. Remove the jack panel.



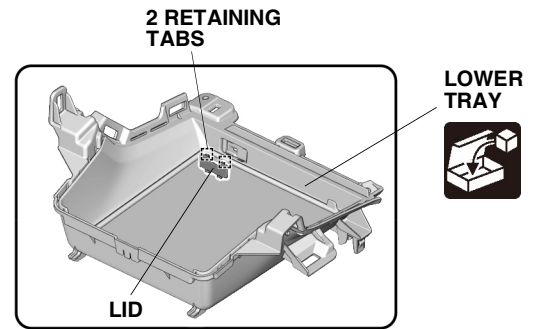
QM20404AT

12. Remove the upper tray.



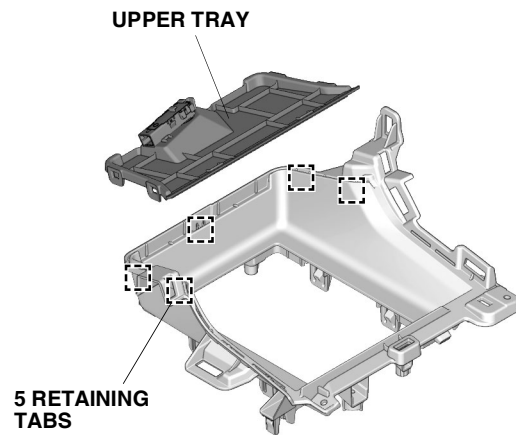
QM20405AT

13. Install the lid.



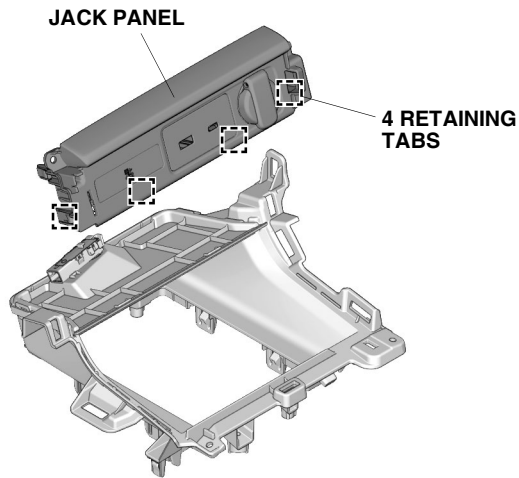
QLN0803AJ

14. Install the upper tray.



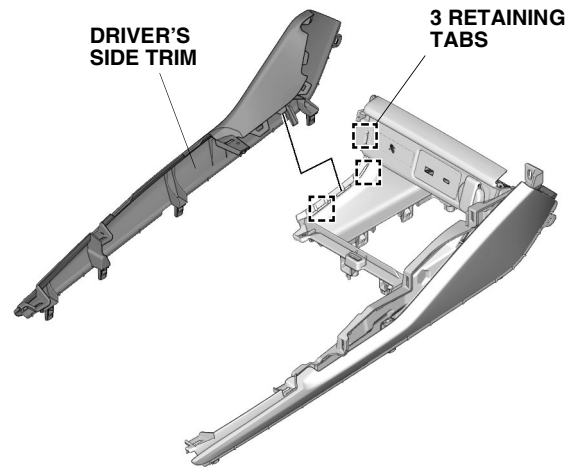
QM20406AT

15. Install the jack panel.



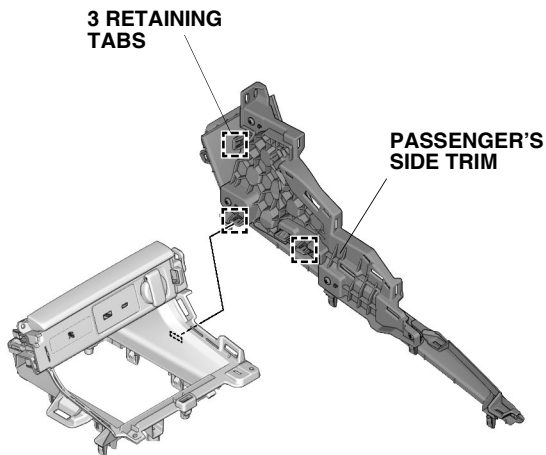
QM20407AT

16. Install the passenger's side trim.



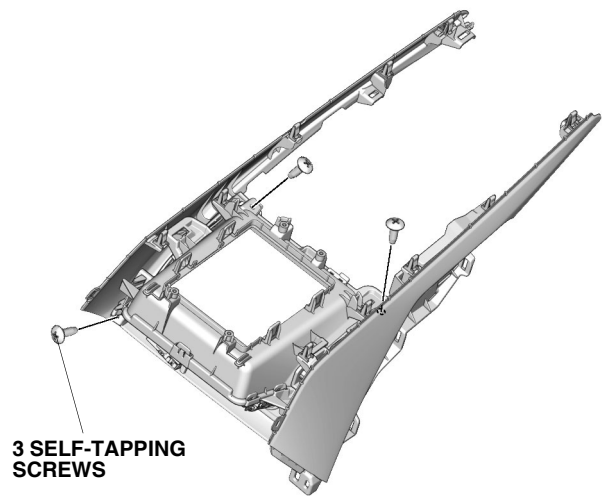
QM20409AT

18. Install the self-tapping screws.



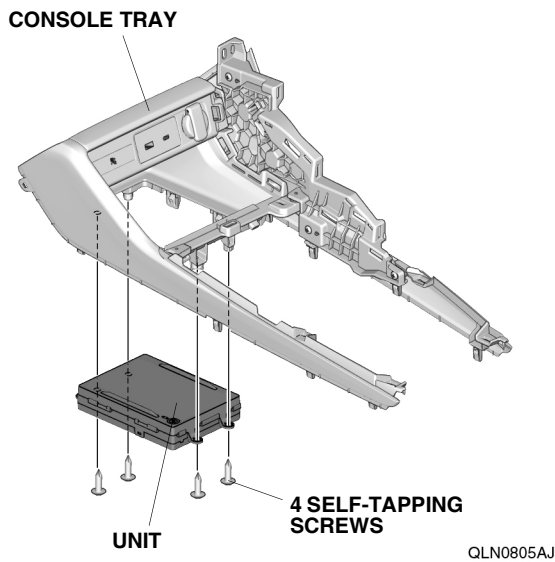
QM20408AT

17. Install the driver's side trim.

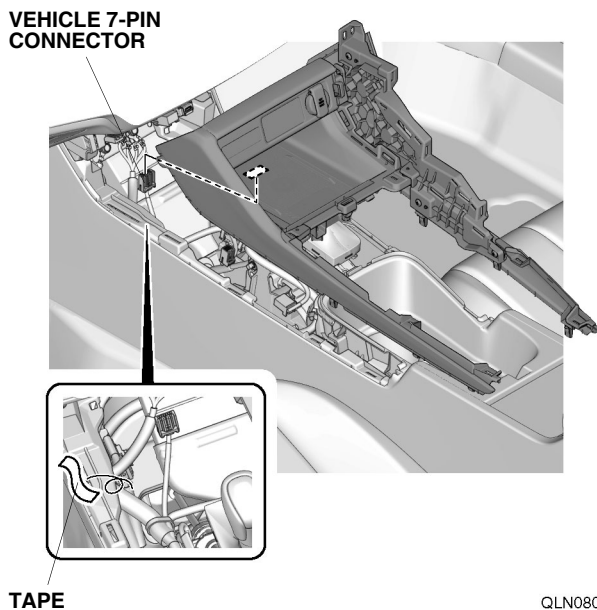


QM20410AT

19. Install the unit.



20. Plug the vehicle connector.

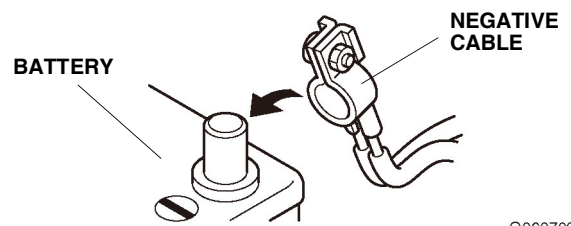


21. Install the console tray.
22. Check that all parts are installed and properly routed.

NOTE

- Check that all harnesses are not pulled or pinched.
- Make sure all clips and wire ties are securely installed.

23. Install all removed parts.
24. Connect the negative cable to the battery.



25. Make sure the accessory operates as described in the vehicle owner's manual.
26. Make sure all accessories and systems operate properly.
27. If necessary, restore the systems back to normal operation as described in the service information.
28. Press and hold the audio unit power button for 2 seconds to restore the audio and navi (if equipped) system functions.