



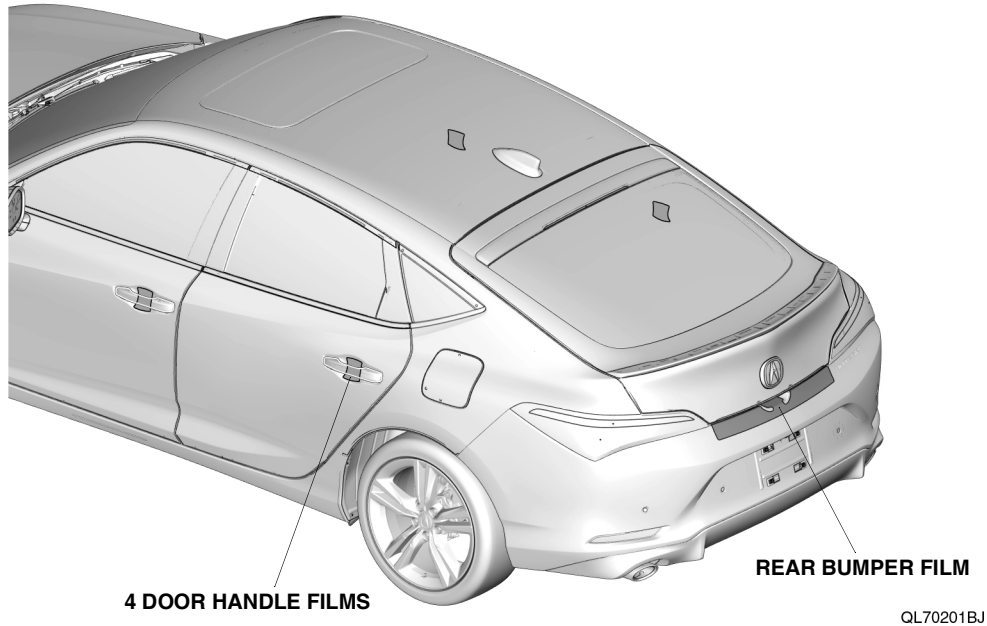
INSTALLATION INSTRUCTIONS

Accessory
PROTECTION FILM

Application
**2023 INTEGRA
MODEL SERIES**

Publications No.
VERSION 1
Issue Date
MAY 2022

GENERAL VIEW



FOR YOUR SAFETY (Read carefully.)

Warning Symbols

Safety: Your safety, and the safety of others, is important. To help you make informed decisions about service procedures, we have provided safety messages where appropriate. Of course, it is not practical or possible to warn you about all the hazards associated with servicing a vehicle - you must use your own good judgment.

You will find important safety messages preceded by one of following symbols:

*All symbols are not used in all installation instructions.

⚠ DANGER

You will be killed or seriously hurt if you do not follow the instructions.

⚠ WARNING

You can be killed or seriously hurt if you do not follow the instructions.

⚠ CAUTION

You can be hurt if you do not follow the instructions.

NOTICE

Gives advice to prevent damage to the product, vehicle, the environment or other property.

NOTE

Gives helpful information or instructions to be followed when installing this product.

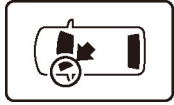


Indicates a prohibited action.

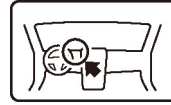
Procedure and Location Icons

These icons indicate the work location and the worker's point of view.

*All icons are not used in all installation instructions.



The location on the vehicle.



The location in the vehicle.
(instrument panel.)



Wear eye protection.



Wear heavy gloves.



Use an assistant.



Place the part on a blanket.



Work perpendicular.



Remove any burrs.



Use touch-up paint and allow to dry.



Tighten to the specified torque.



Apply firm pressure while rolling, especially at the ends, to set the adhesive.



Press firmly.



Clean with isopropyl alcohol.



Return the original part to the client.
(Do not reuse.)

Safety: General

- Be careful not to damage the vehicle or the parts.
- The illustrations may differ slightly from the actual accessory.

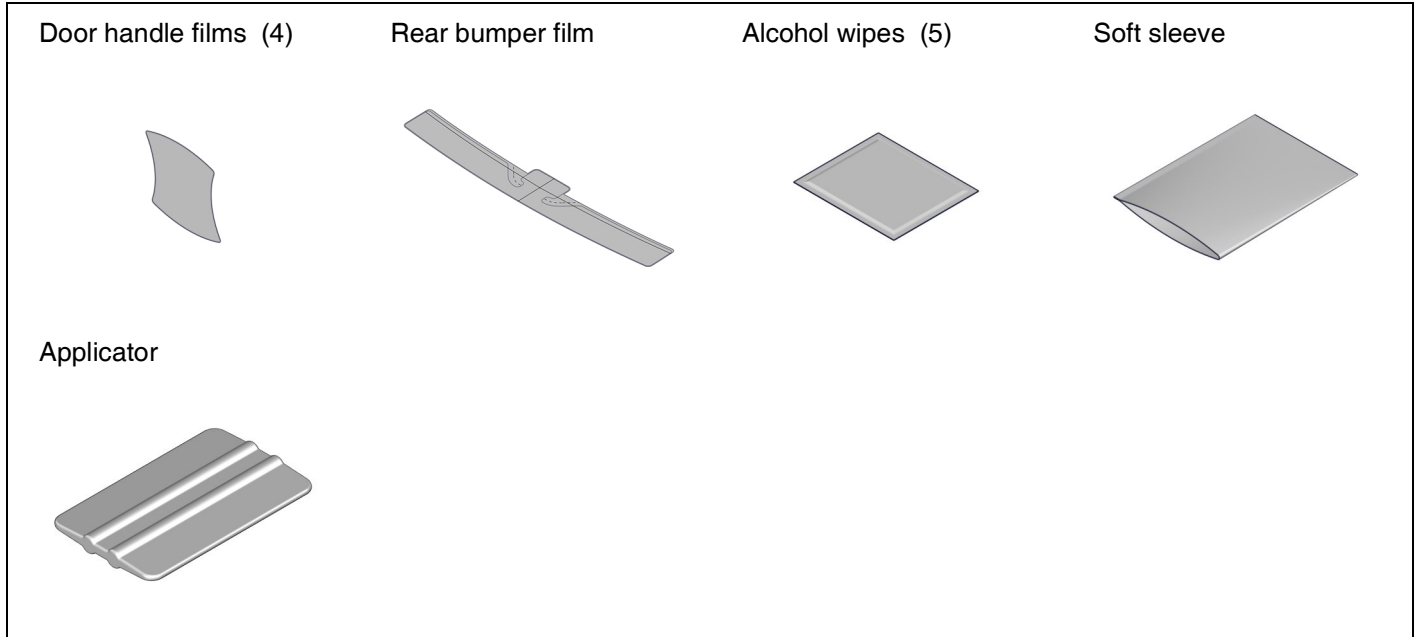
Safety: Accessory

- Always use the parts and tools specified in the installation instructions.
- Do not install the accessory on a dirty surface or in direct sunlight.
- Make sure the ambient air temperature is 60°F (15°C) or above when installing accessories that use adhesive material.
- When applying adhesive material, make sure it is lined up properly before attaching. Once the adhesive material touches the surface, do not try to remove it. If you do, you could damage the part.

- Cover nearby parts with a shop towel to prevent getting them wet.
- Always wear gloves when working with 3M Protective tape application solution.
- Use 3M protective tape application solution with a spray bottle.
- Do not wash the vehicle for 24 hours to allow the adhesive to cure.

PARTS LIST

Protection Film Kit (P/N 08P48-3S5-200)



REQUIRED TOOLS AND SUPPLIES

- Shop towel
- Masking tape
- Spray bottle
- Felt-tip pen

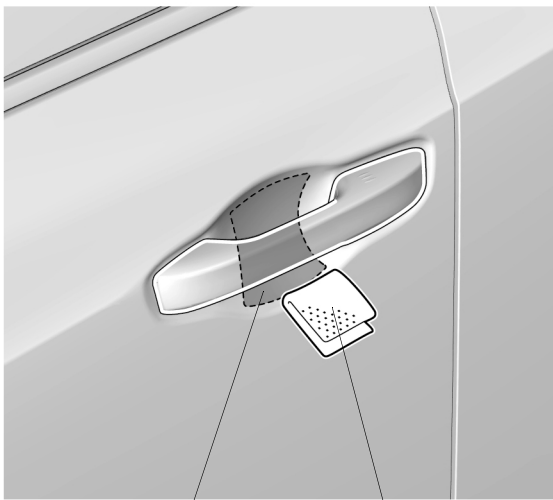
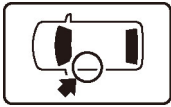
The following tool is available through the Acura Tool and Equipment Program:
 3M Protective tape application solution (P/N: 08712-0008)

INSTALLATION

1. Clean the left front door.

NOTE

Allow to dry thoroughly.



LEFT FRONT DOOR
(Clean with an alcohol wipe.)

ALCOHOL WIPE QL70202BJ

2. Spray the left front door.



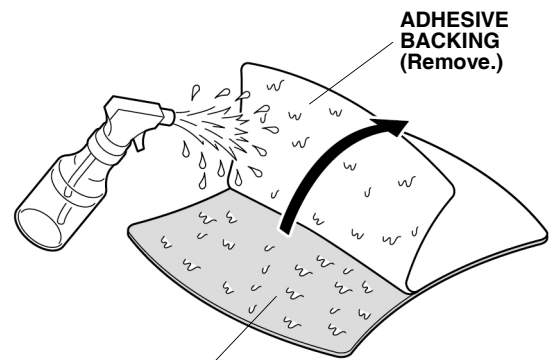
- Gloves
- Ruler



3M PROTECTIVE TAPE APPLICATION SOLUTION

SPRAY BOTTLE QL70203BJ

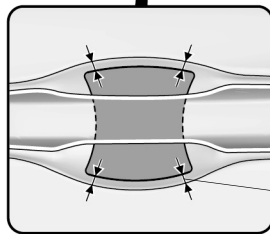
3. Remove the adhesive backing.



DOOR HANDLE FILM

QL70204BJ

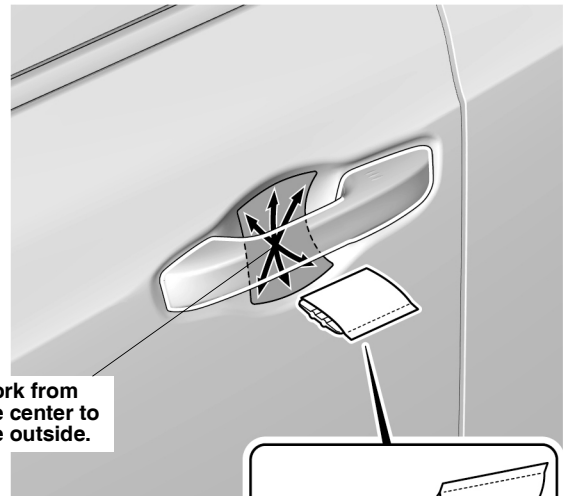
4. Spray the door handle film.
5. Line up the door handle film.



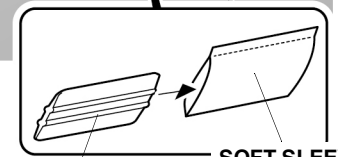
Equal spacing.

QL70205BJ

6. Secure the door handle film.



Work from the center to the outside.



APPLICATOR

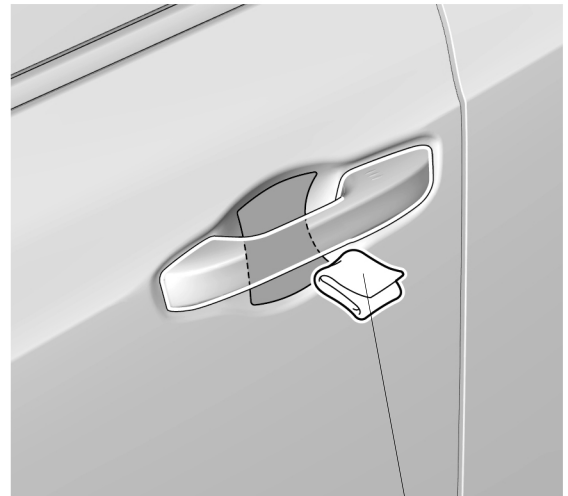
SOFT SLEEVE

QL70206CJ

7. Wipe off the 3M protective tape application solution.

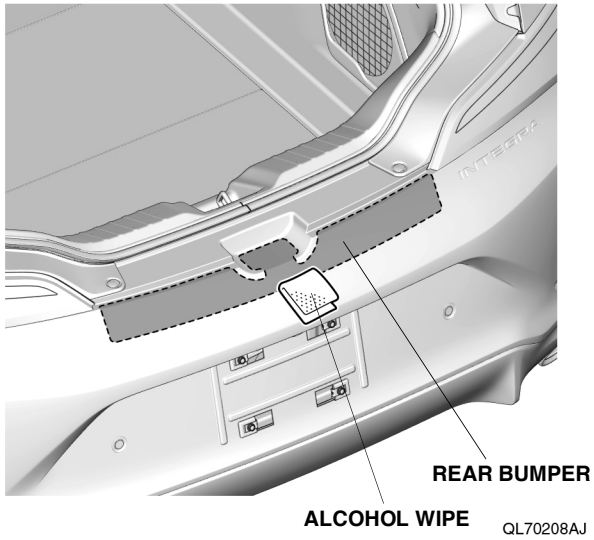
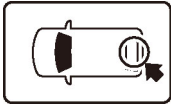
NOTICE

Allow to dry thoroughly.



SHOP TOWEL QL70207BJ

8. Repeat steps 1 through 7 for the other doors.
9. Open the tailgate.

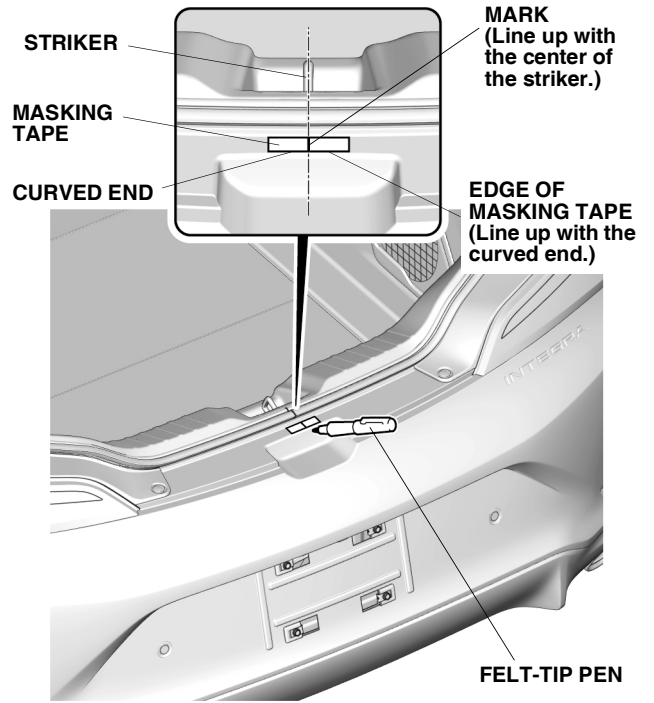


10. Clean the rear bumper.

NOTE

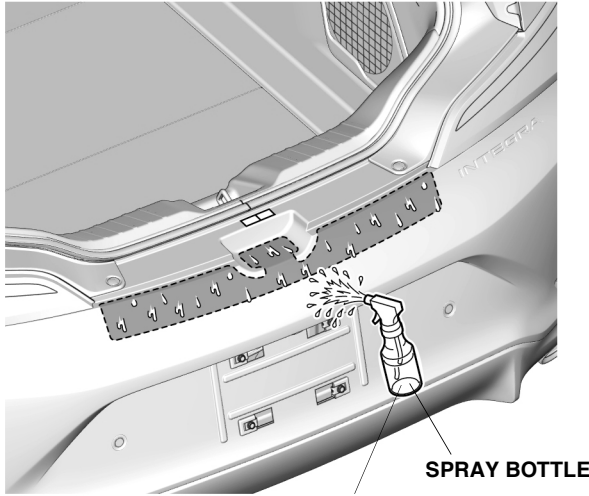
Allow to dry thoroughly.

11. Attach the masking tape.



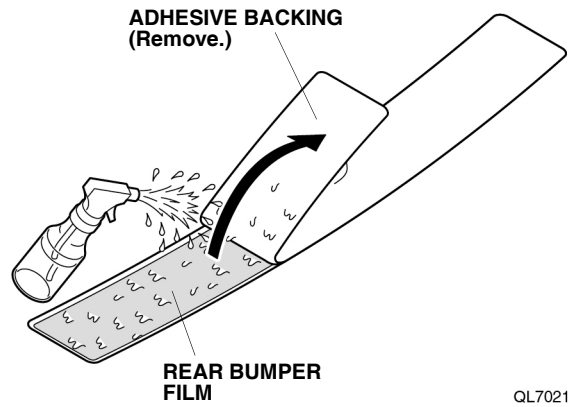
12. Mark the masking tape.

13. Spray the rear bumper.



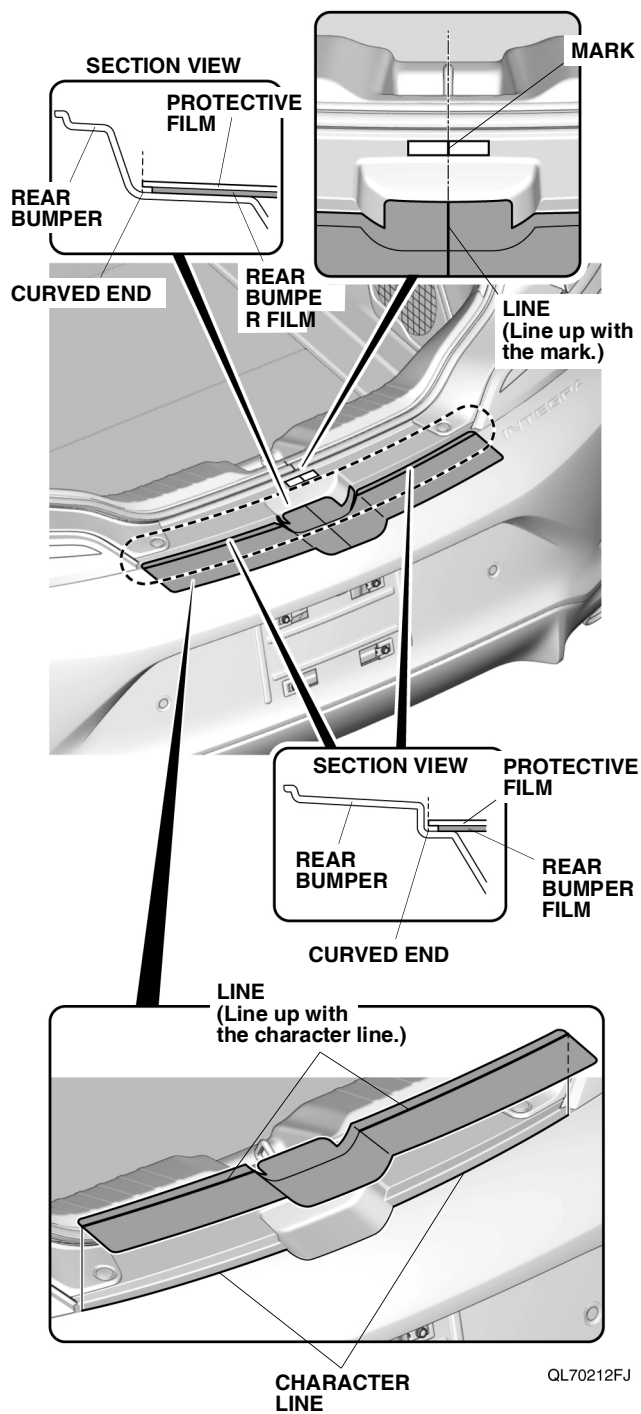
**3M PROTECTIVE TAPE
APPLICATION SOLUTION** QL70210AJ

14. Remove the adhesive backing.

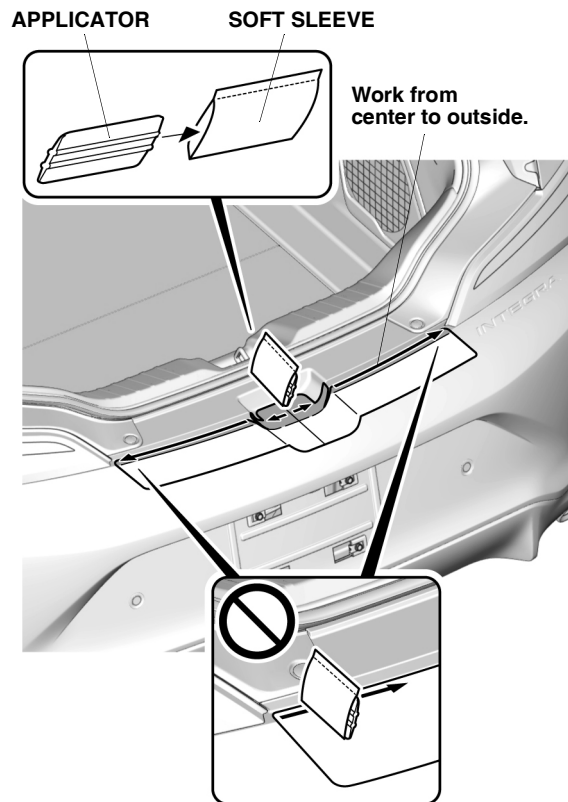


QL70211AJ

15. Spray the rear bumper film.
16. Line up the rear bumper film.



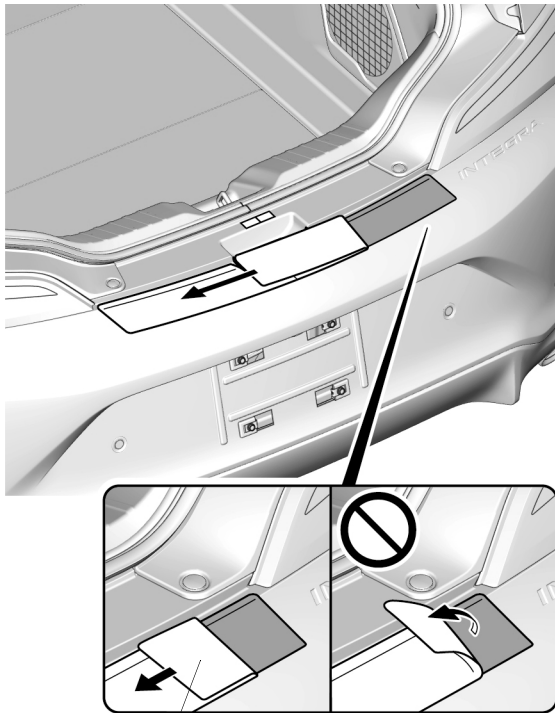
17. Insert the applicator.



QL70213BJ

18. Secure the rear bumper film.
19. Remove the protective film.

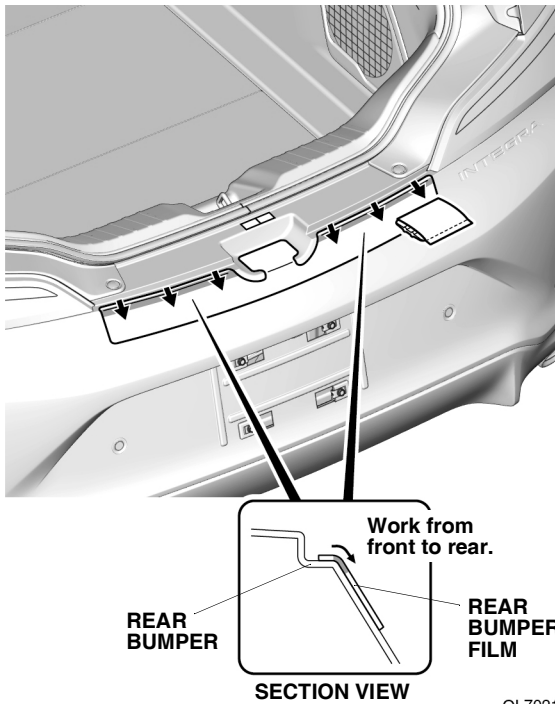
NOTE
Do not pull up on the protective film.



PROTECTIVE FILM

QL70214AJ

20. Secure the rear bumper film.



REAR BUMPER

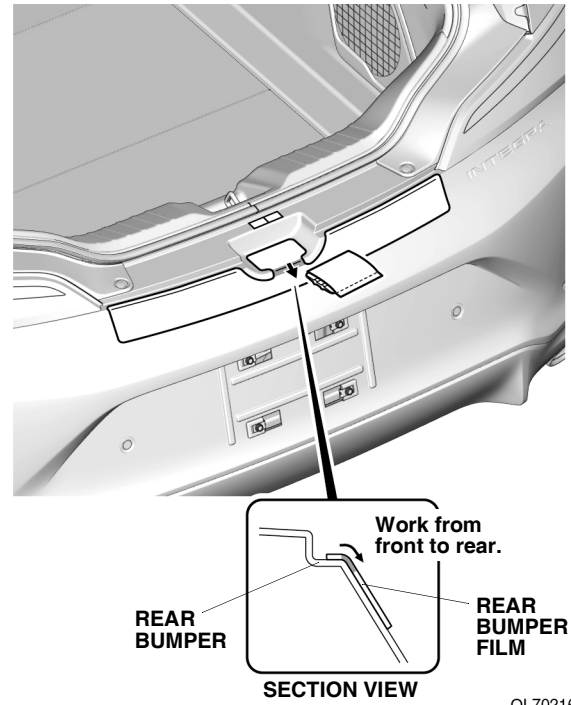
Work from front to rear.

REAR BUMPER FILM

SECTION VIEW

QL70215AJ

21. Secure the rear bumper film.



REAR BUMPER

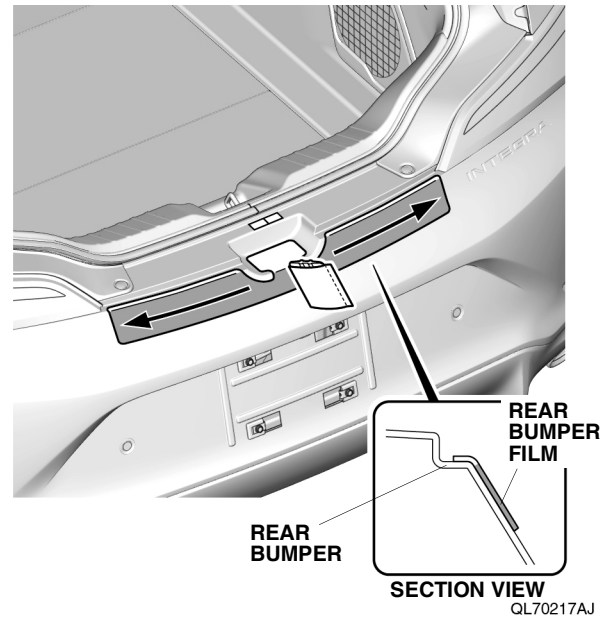
Work from front to rear.

REAR BUMPER FILM

SECTION VIEW

QL70216AJ

22. Secure the rear bumper film.



REAR BUMPER

REAR BUMPER FILM

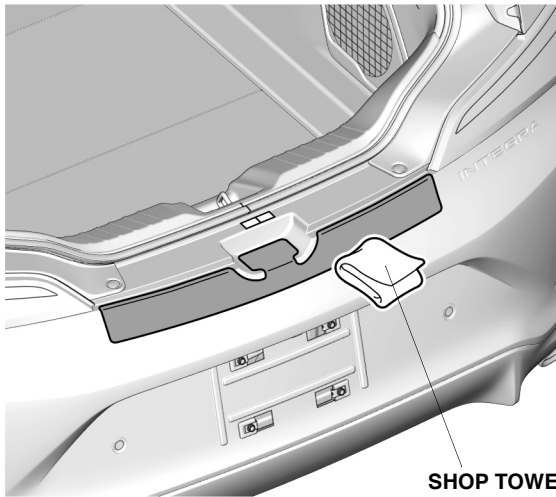
SECTION VIEW

QL70217AJ

23. Wipe off the 3M protective tape application solution.

NOTE

Allow to dry thoroughly.



SHOP TOWEL

QL70218AJ

24. Remove the masking tape.
25. Check that all parts are installed properly.