



INSTALLATION INSTRUCTIONS

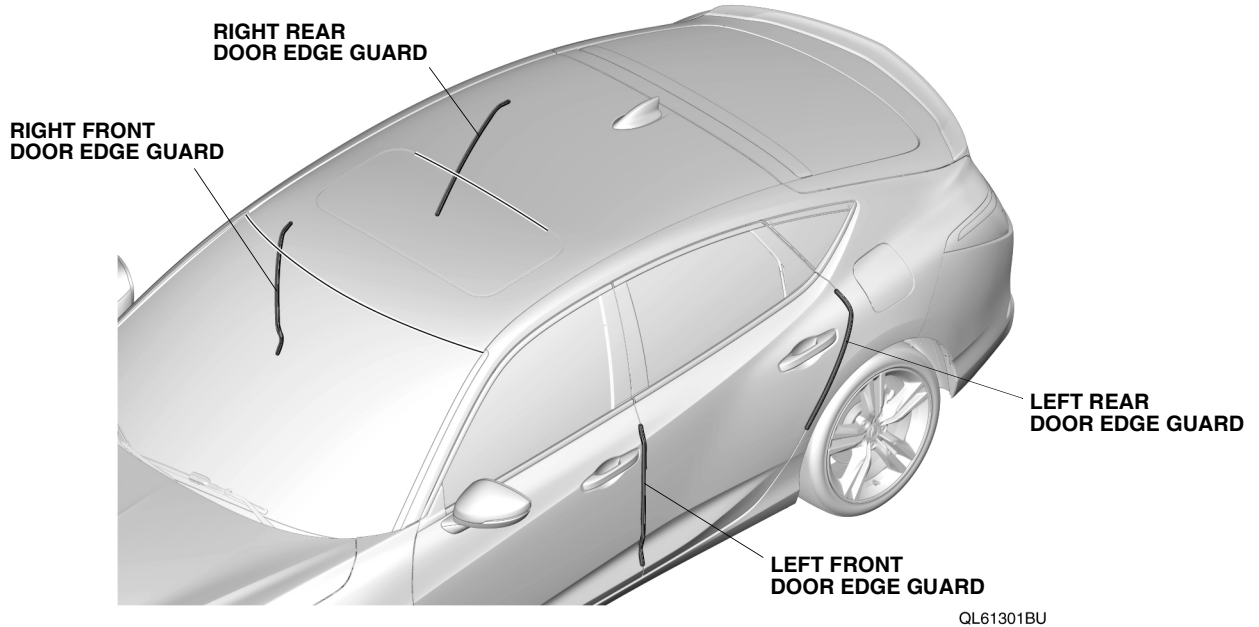
Accessory
DOOR EDGE GUARDS

Application
**2023 INTEGRA
MODEL SERIES**

Publications No.
VERSION 1
Issue Date
MAY 2022

GENERAL VIEW

If you are also installing the body side moldings (sold separately), install the door edge guards before you install the body side moldings.



FOR YOUR SAFETY (Read carefully.)

Warning Symbols

Safety: Your safety, and the safety of others, is important. To help you make informed decisions about service procedures, we have provided safety messages where appropriate. Of course, it is not practical or possible to warn you about all the hazards associated with servicing a vehicle - you must use your own good judgment.

You will find important safety messages preceded by one of following symbols:

*All symbols are not used in all installation instructions.

⚠ DANGER

You will be killed or seriously hurt if you do not follow the instructions.

⚠ WARNING

You can be killed or seriously hurt if you do not follow the instructions.

⚠ CAUTION

You can be hurt if you do not follow the instructions.

NOTICE

Gives advice to prevent damage to the product, vehicle, the environment or other property.

NOTE

Gives helpful information or instructions to be followed when installing this product.

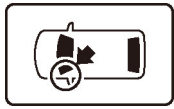


Indicates a prohibited action.

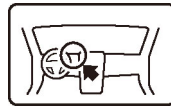
Procedure and Location Icons

These icons indicate the work location and the worker's point of view.

*All icons are not used in all installation instructions.



The location on the vehicle.



The location in the vehicle.
(instrument panel.)



Wear eye protection.



Wear heavy gloves.



Use an assistant.



Place the part on a blanket.



Work perpendicular.



Remove any burrs.



Use touch-up paint and allow to dry.



Tighten to the specified torque.



Apply firm pressure while rolling, especially at the ends, to set the adhesive.



Press firmly.



Clean with isopropyl alcohol.



Return the original part to the client.
(Do not reuse.)

Safety: General

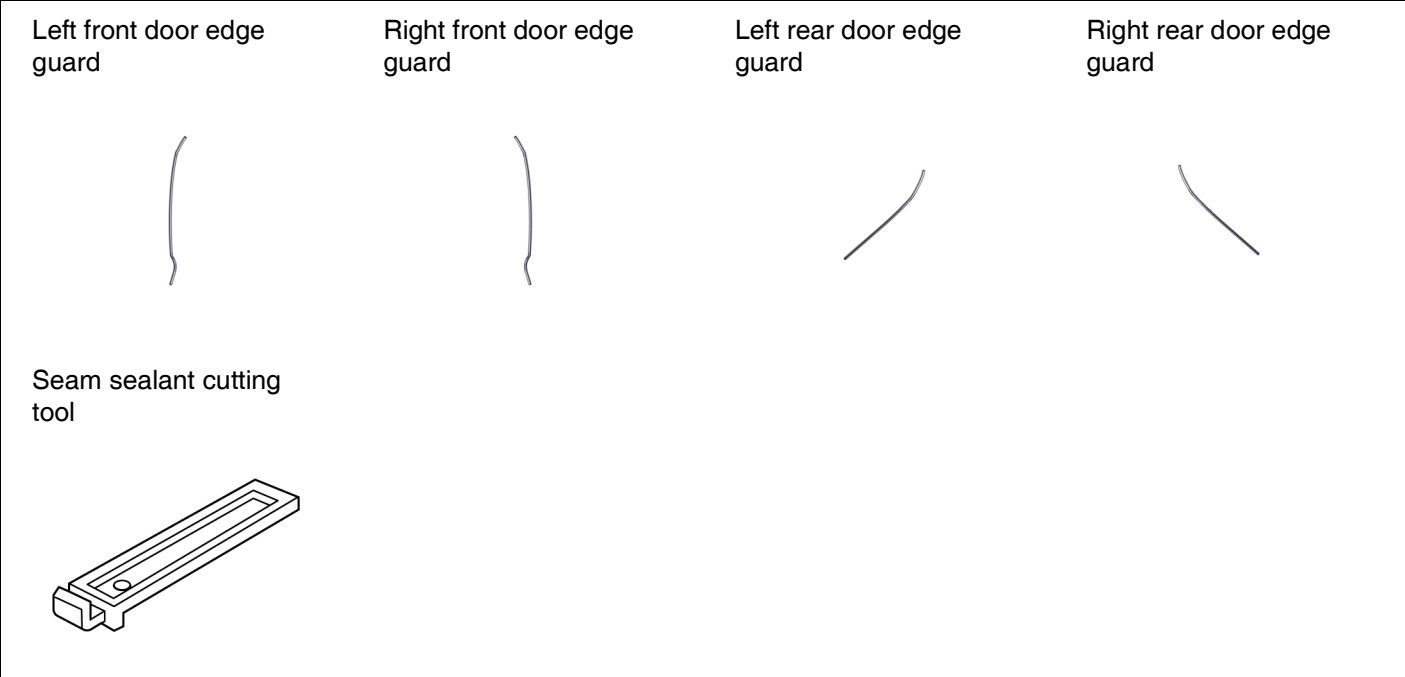
- Be careful not to damage the vehicle or the parts.
- The illustrations may differ slightly from the actual accessory.

Safety: Accessory

Always use the parts and tools specified in the installation instructions.

PARTS LIST

Door Edge Guard Kit (P/N 08P20-3S5-200A)

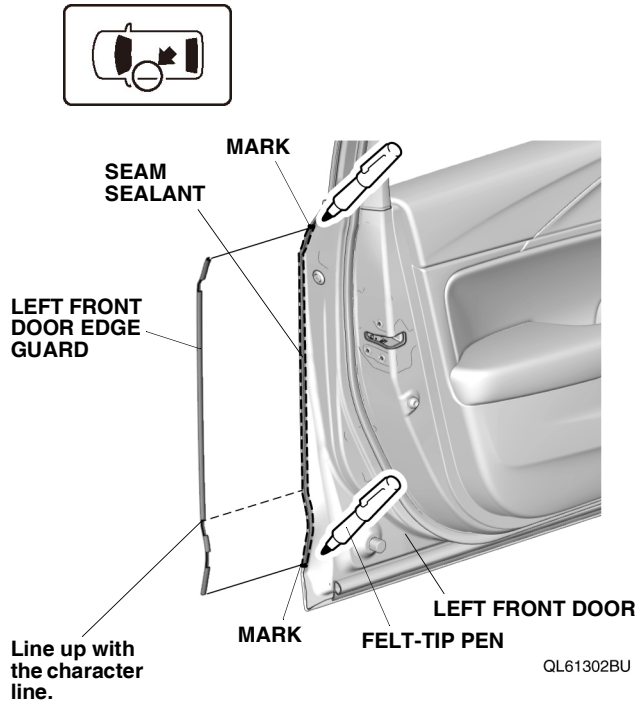


REQUIRED TOOLS AND SUPPLIES

- Rubber mallet
- Felt-tip pen
- Touch-up paint

INSTALLATION

1. Position the left front door edge guard.

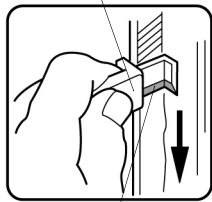


2. Mark the seam sealant.
3. Remove the left front door edge guard.
4. Trim the seam sealant.

NOTE

The cutting tool cuts in only one direction.

SEAM SEALANT CUTTING TOOL
(Cutting direction should be toward the cutting edge.)

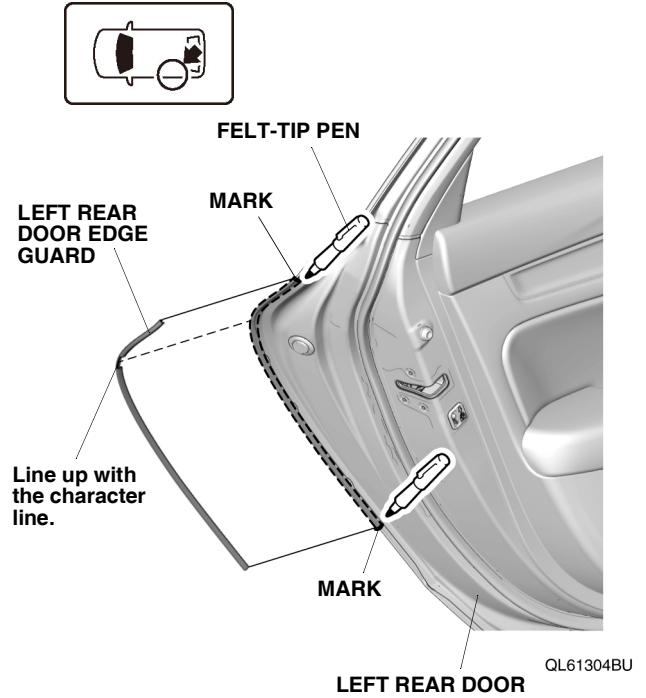


CUTTING EDGE



QL61303BU

5. Position the left rear door edge guard.

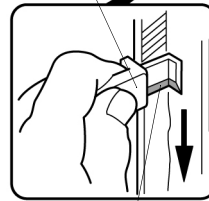


6. Mark the seam sealant.
7. Remove the left rear door edge guard.
8. Trim the seam sealant.

NOTE

The cutting tool cuts in only one direction.

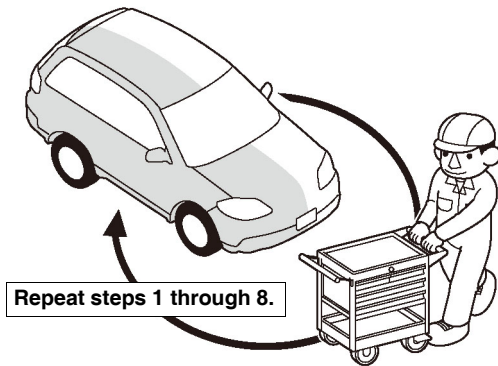
SEAM SEALANT CUTTING TOOL
(Cutting direction should be toward the cutting edge.)



CUTTING EDGE

QL61305BU

9. Repeat the same procedures on the other side.

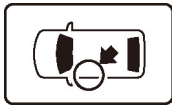


Q9D1014AM

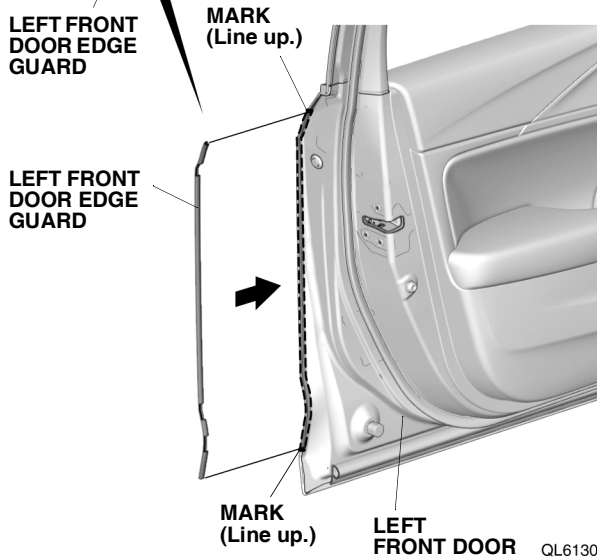
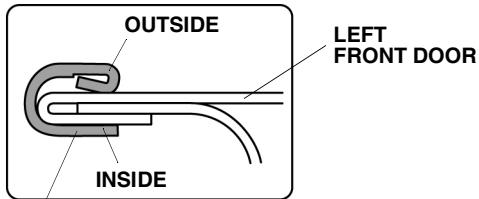
10. Position the left front door edge guard.

NOTE

Make sure to install the door edge guard in the correct orientation.

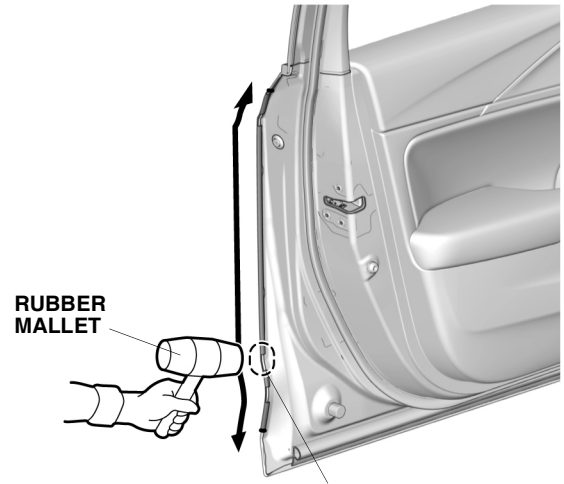


SECTION VIEW



QL61306BU

11. Secure the left front door edge guard.



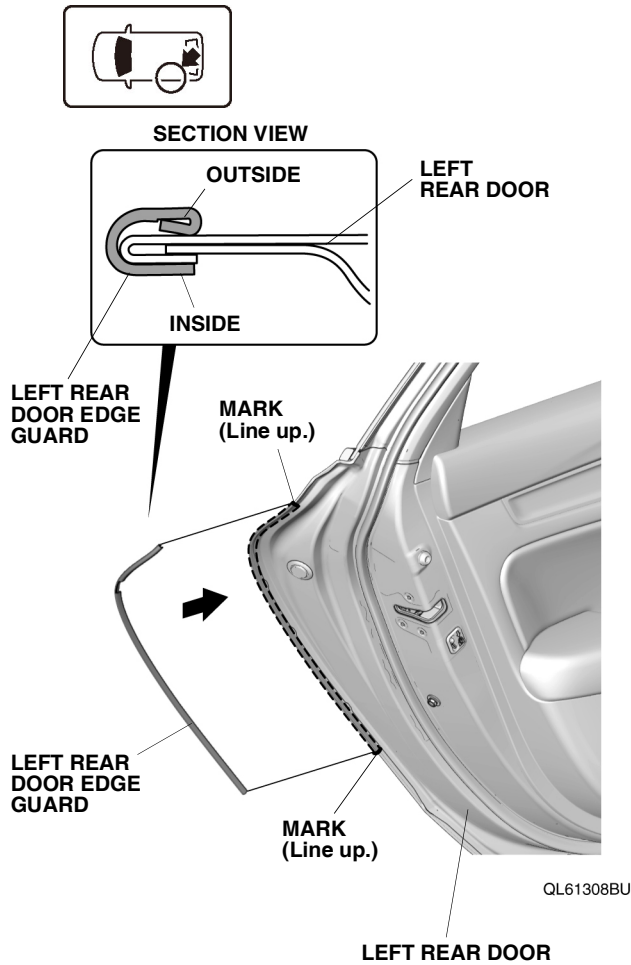
Start tapping at the character line.

QL61307BU

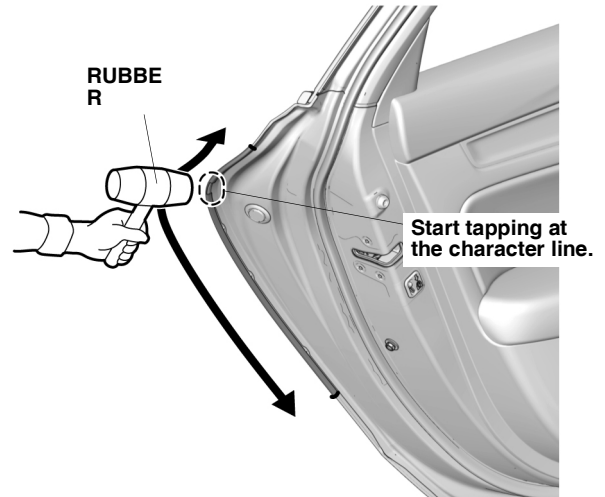
12. Position the left rear door edge guard.

NOTE

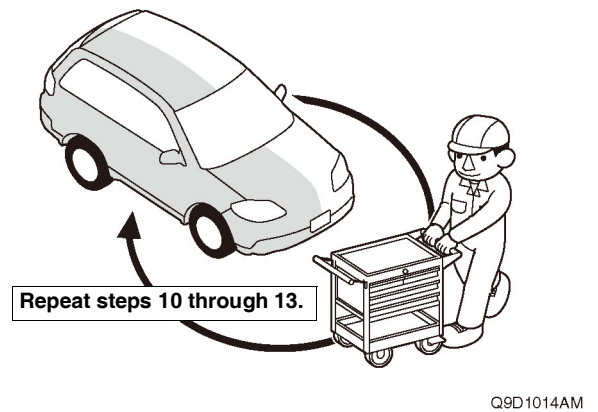
Make sure to install the door edge guard in the correct orientation.



13. Secure the left rear door edge guard.



14. Repeat the same procedures on the other side.



15. Check that all parts are installed properly.