



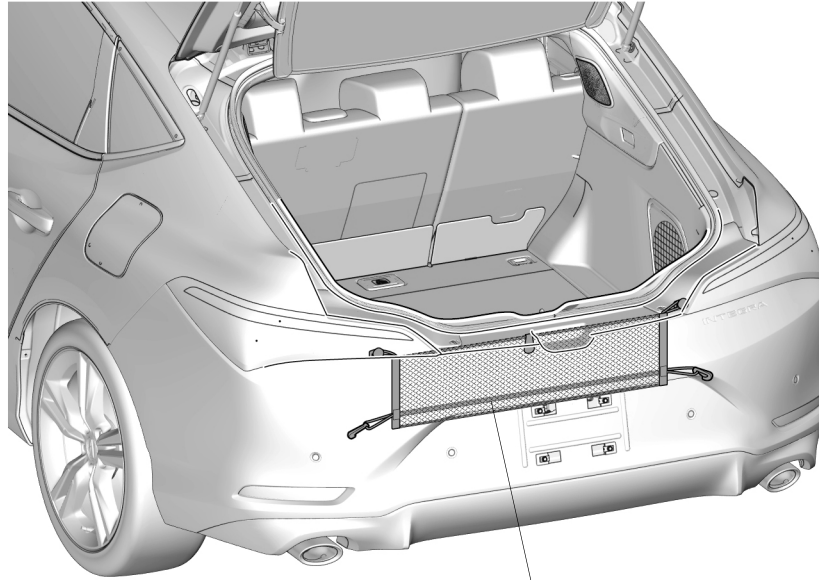
INSTALLATION INSTRUCTIONS

Accessory
CARGO NET

Application
**2023 INTEGRA
MODEL SERIES**

Publications No.
VERSION 1
Issue Date
MAY 2022

GENERAL VIEW



CARGO NET

QL70901AJ

FOR YOUR SAFETY (Read carefully.)

Warning Symbols

Safety: Your safety, and the safety of others, is important. To help you make informed decisions about service procedures, we have provided safety messages where appropriate. Of course, it is not practical or possible to warn you about all the hazards associated with servicing a vehicle - you must use your own good judgment.

You will find important safety messages preceded by one of following symbols:

*All symbols are not used in all installation instructions.

⚠ DANGER

You will be killed or seriously hurt if you do not follow the instructions.

⚠ WARNING

You can be killed or seriously hurt if you do not follow the instructions.

⚠ CAUTION

You can be hurt if you do not follow the instructions.

NOTICE

Gives advice to prevent damage to the product, vehicle, the environment or other property.

NOTE

Gives helpful information or instructions to be followed when installing this product.

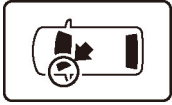


Indicates a prohibited action.

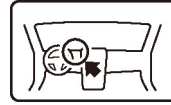
Procedure and Location Icons

These icons indicate the work location and the worker's point of view.

*All icons are not used in all installation instructions.



The location on the vehicle.



The location in the vehicle.
(instrument panel.)



Wear eye protection.



Wear heavy gloves.



Use an assistant.



Place the part on a blanket.



Work perpendicular.



Remove any burrs.



Use touch-up paint and allow to dry.



Tighten to the specified torque.



Apply firm pressure while rolling, especially at the ends, to set the adhesive.



Press firmly.



Clean with isopropyl alcohol.



Return the original part to the client.
(Do not reuse.)

Safety: General

- Observe all safety notes and precautions described in the service information, in addition to those described in this Installation Instruction. Be extremely careful for your safety and the safety of others.
- Be careful not to damage the vehicle or the parts.

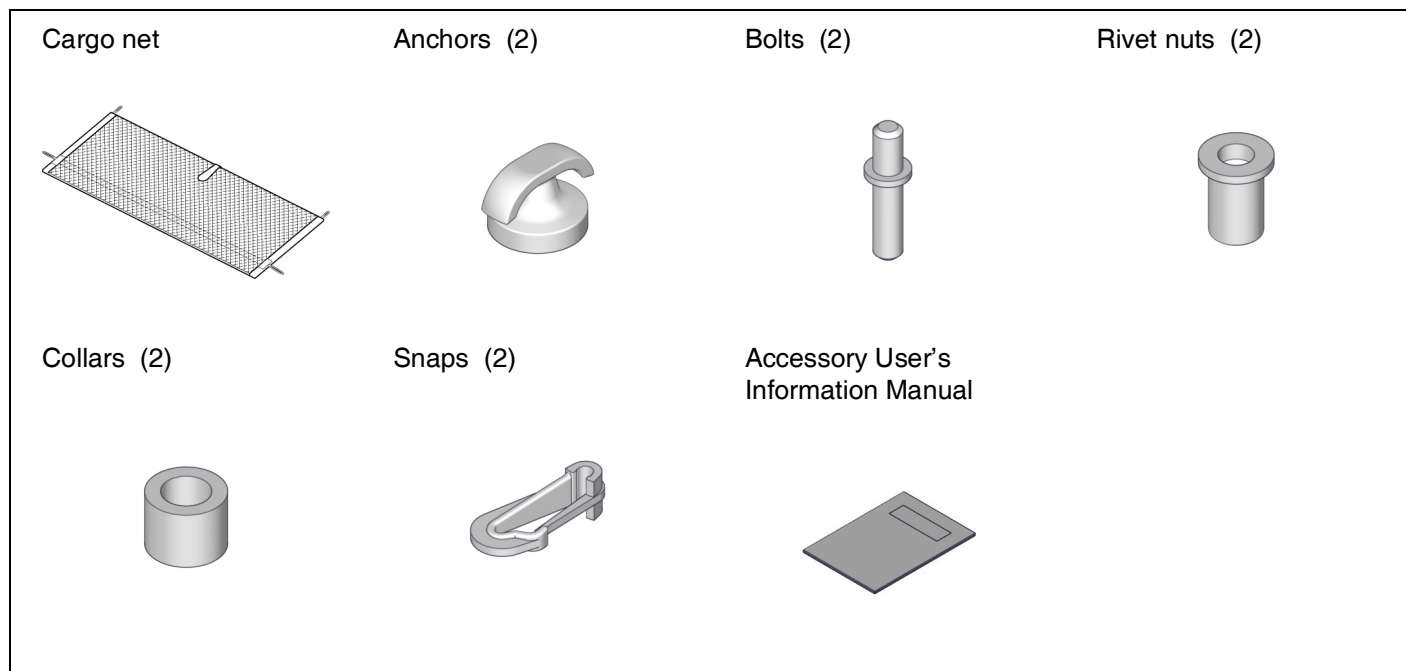
- The illustrations may differ slightly from the actual accessory.

Safety: Accessory

Always use the parts and tools specified in the installation instructions.

PARTS LIST

Cargo Net Kit (P/N 08L96-3S5-200)



REQUIRED TOOLS AND SUPPLIES

- 19 mm Open end wrench
- File
- Hex wrench
- Pushpin
- Drill
- 3 mm, 6 mm, 8 mm, and 12 mm Drill bits

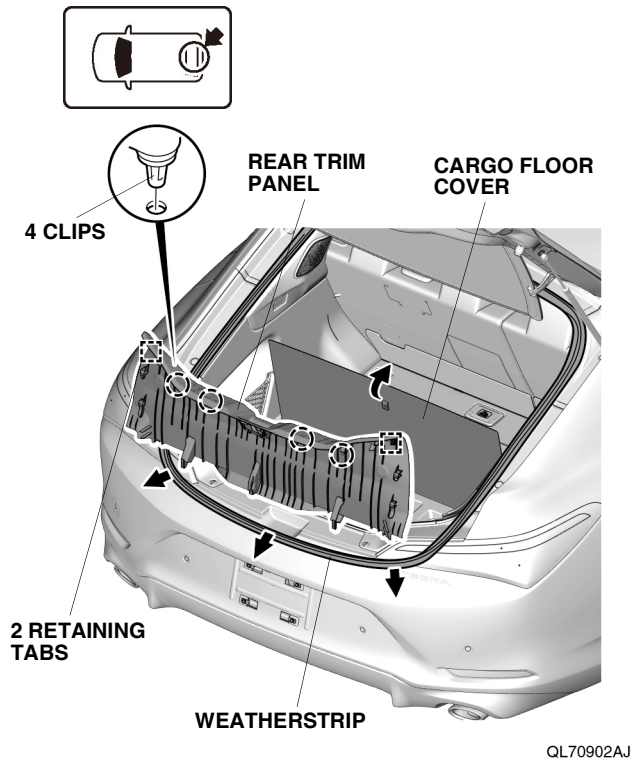
- Eye protection (face shield, safety goggles, etc.)

The following tools are available through the Acura Tool and Equipment Program:

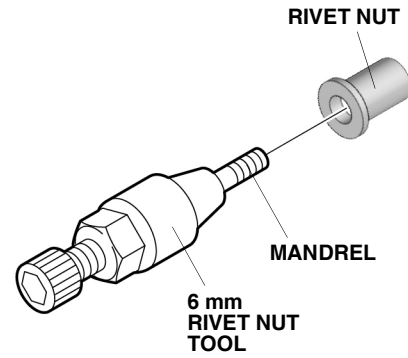
- Trim Tool Set (T/N SOJATP2014)
- Plastic Trim Tool (T/N SILTRIMTL10)

INSTALLATION

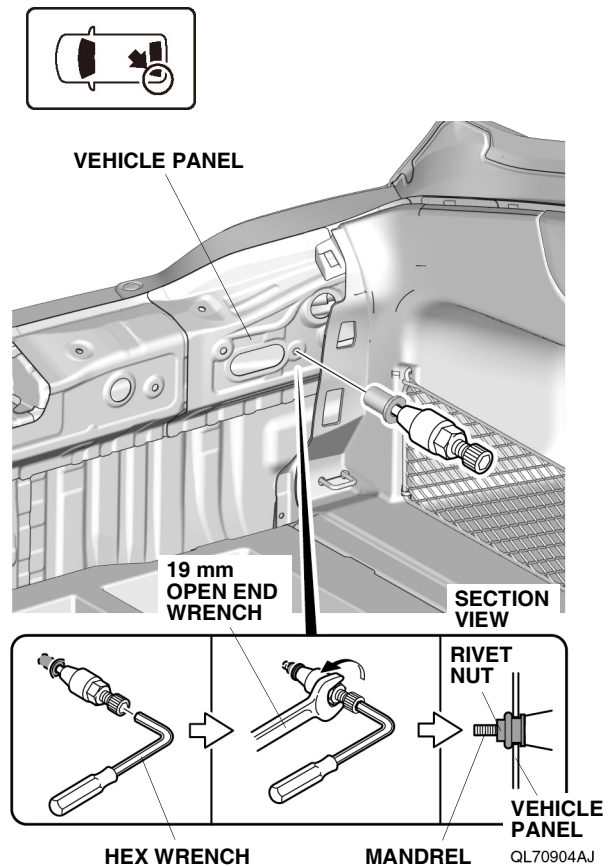
1. Remove the rear trim panel.



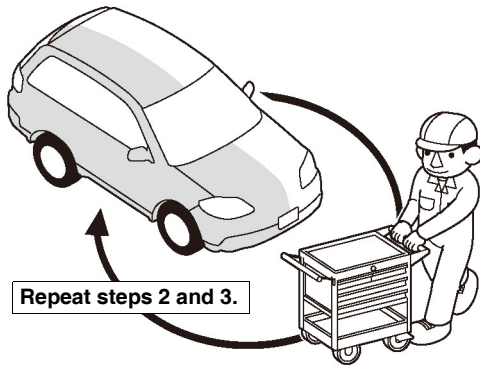
2. Thread the rivet nut.



3. Install the rivet nut.

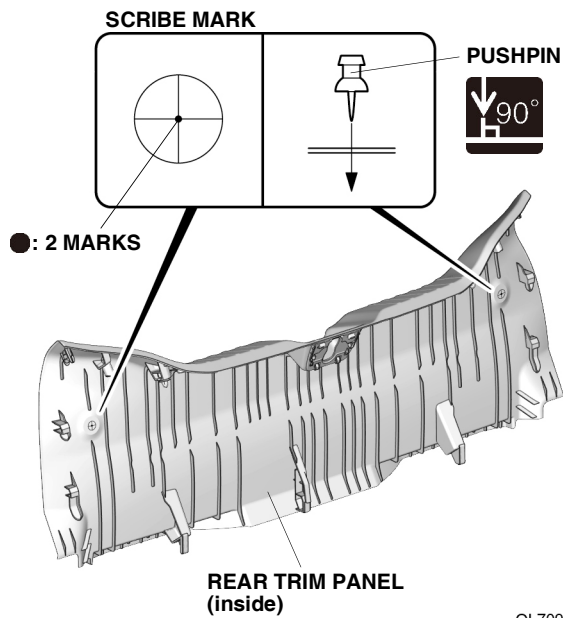


4. Repeat the same procedures on the other side.



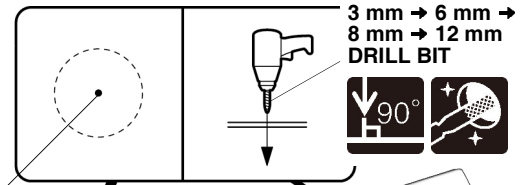
Q9D1014AM

5. Mark the rear trim panel.

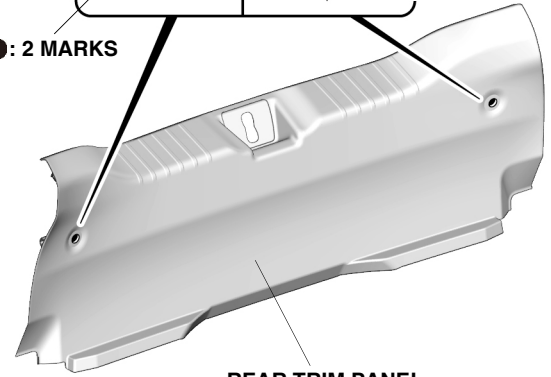


QL70905AJ

6. Drill the rear trim panel.



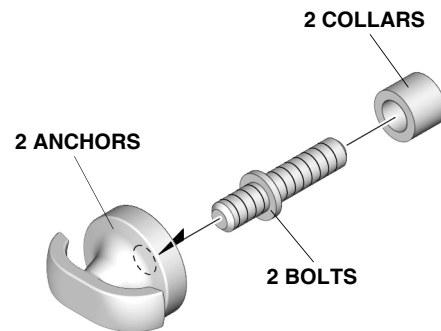
●: 2 MARKS



REAR TRIM PANEL
(outside)

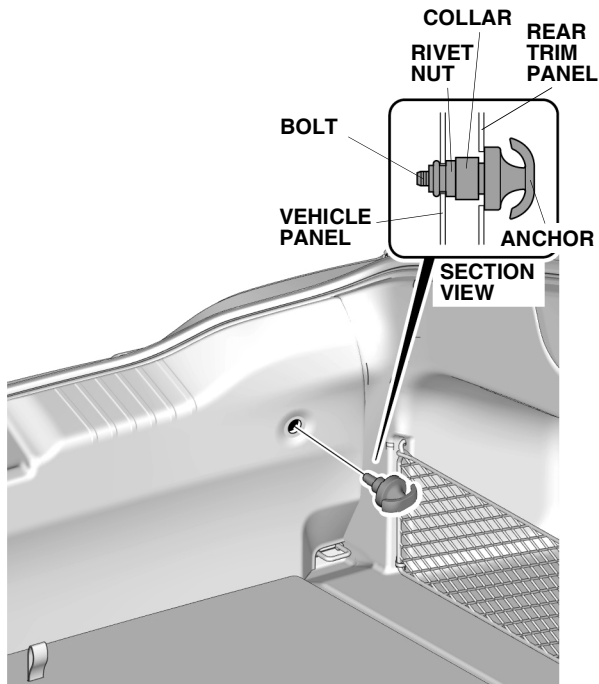
QL70906AJ

7. Install the rear trim panel.
8. Install the bolt and the collar.



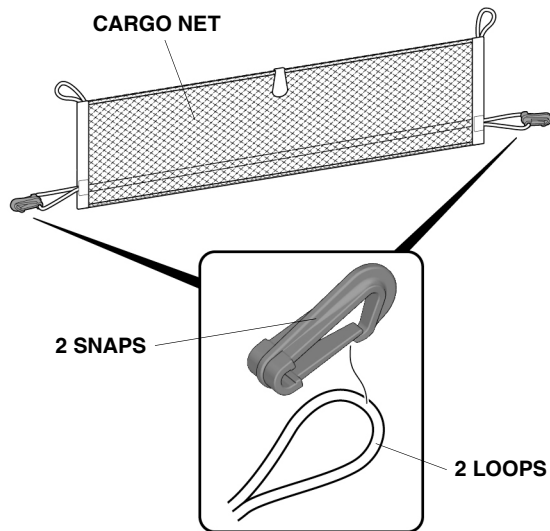
QL70907AJ

9. Install the anchor.



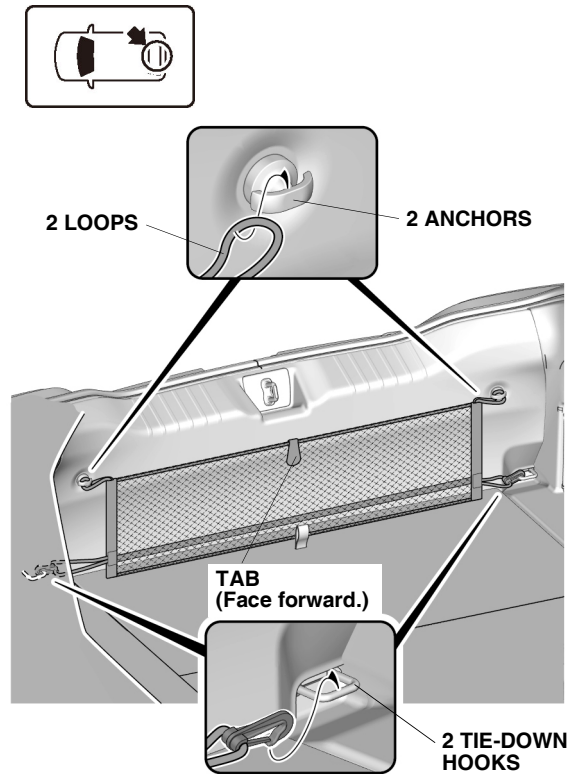
QL70908BJ

10. Repeat step 9 on the other side.
11. Attach the snaps.



QL70909AJ

12. Install the cargo net.



QL70910AJ

13. Check that all parts are installed properly.
14. Give the Accessory User's Information Manual to the client.